

## Models- 975, 2050 Stainless Steel Thermometers

### Temperature element

- (a) Bi-Metal System
- (b) Inert Gas System

### Case

AISI 304 Stainless Steel  
Bezel Stainless Steel (Bayonet type).  
Weatherproof Construction

### Dial

White Aluminium (Black Printing)

### Pointer

Black Aluminium

### Window

Sheet Glass

### Standard Size

100, 125, 150mm

### Accuracy class

Gas filled 1%  
Bi-Metal 2% Up to 250 deg C. (Over 250 deg C on request)

### Scale Range

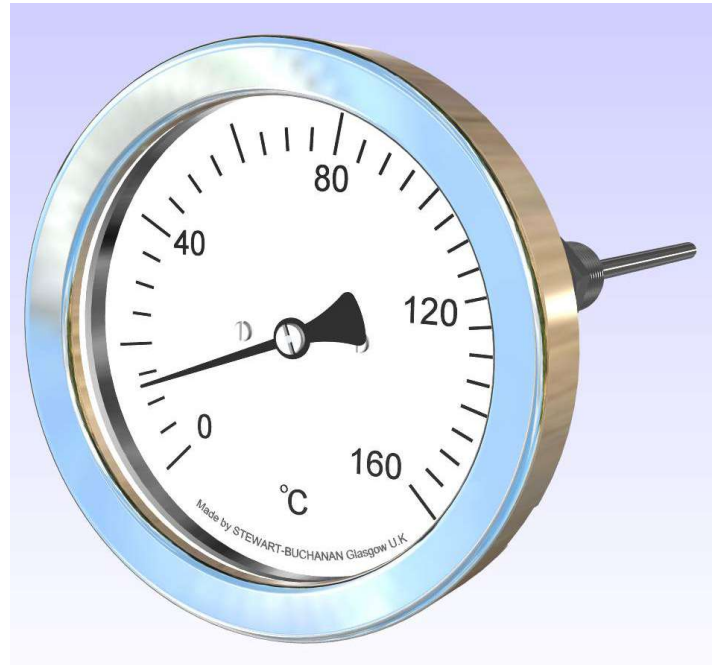
Bi-Metal - 50 up to 600 deg C.  
Gas Filled - 100 up to 650 deg C.  
See standard scale range data sheet.

### Stem

Stainless Steel.

### Stem Dia

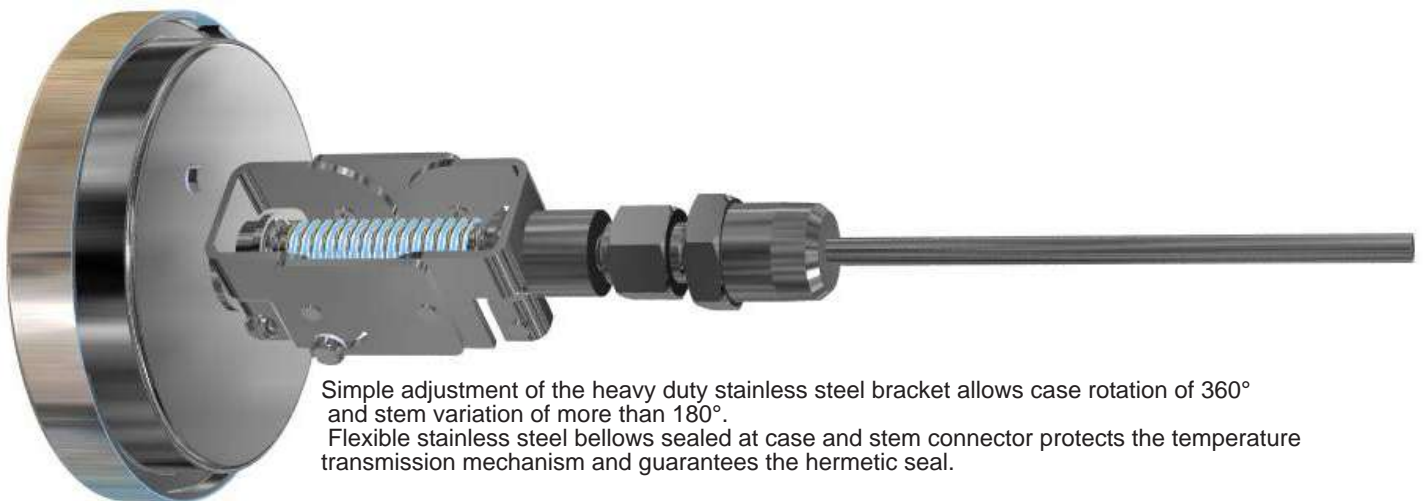
Bi-Metal - 6, 8, 10, or 12mm.  
G.F - 6, 8, 10, 12, or 12.7 mm.



Model - 2050

### Optional extras

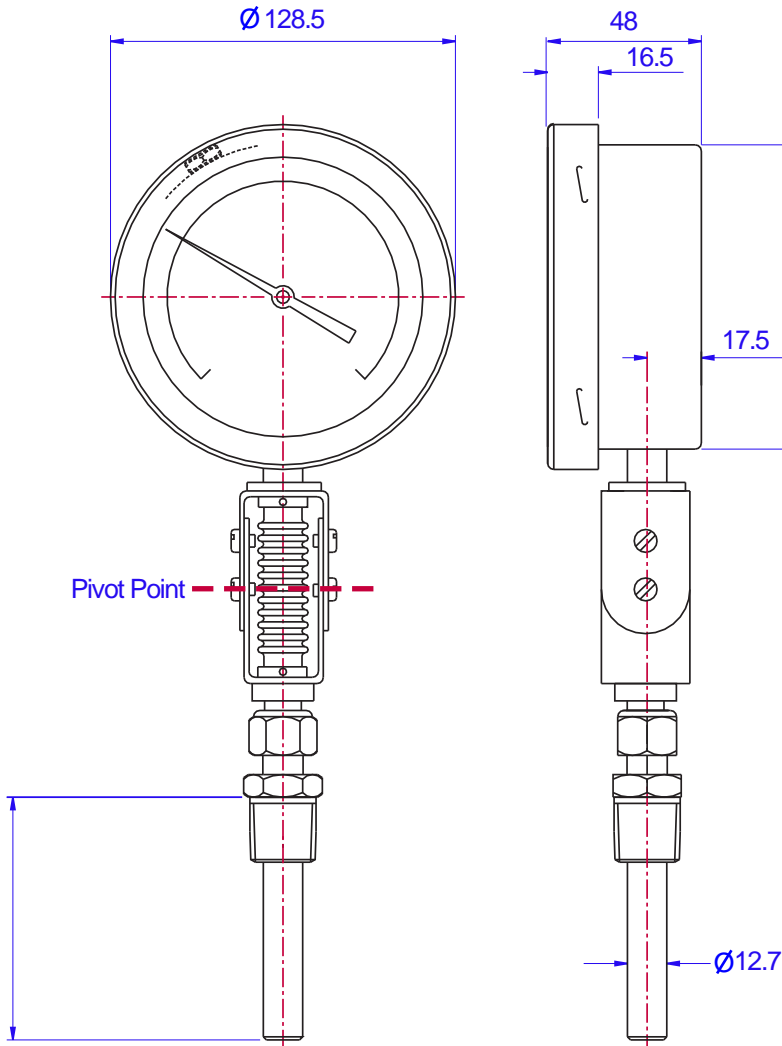
AISI 316 Stainless Steel Case.  
Slot adjustable pointer / Black Finish.  
Window laminated Safety Glass / Perspex.  
Thermowells per DIN or to user specification.  
**Additional Variations: on request.**



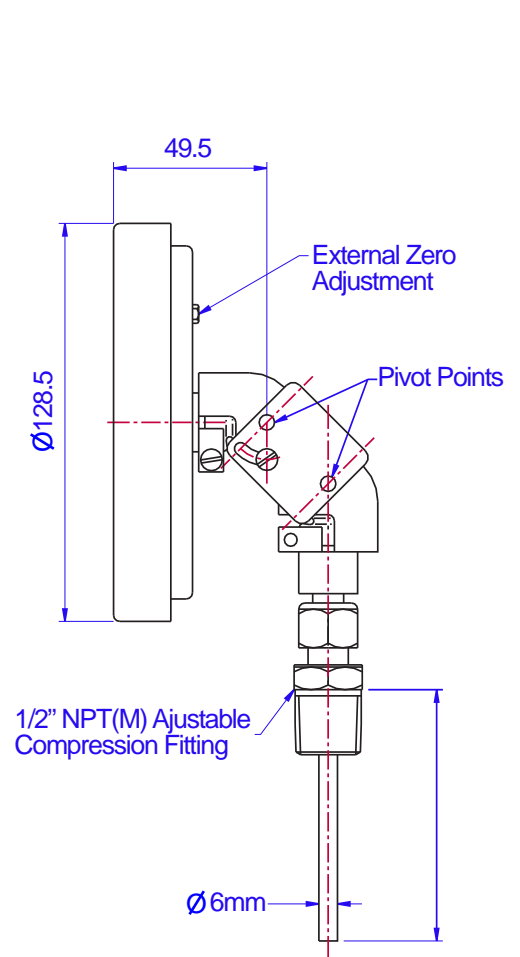
Simple adjustment of the heavy duty stainless steel bracket allows case rotation of 360° and stem variation of more than 180°. Flexible stainless steel bellows sealed at case and stem connector protects the temperature transmission mechanism and guarantees the hermetic seal.

## Models- 975, 2050 Stainless Steel Thermometers

Gas Filled System  
Model - 975



Bi-Metal System  
Model - 2050



We manufacture a wide range of instruments to customer's special requirements  
We shall be pleased to discuss and advise on your specifications.

Specifications and dimensions given in this leaflet represent the state of engineering at the time of printing.  
Engineering modifications may take place without prior notice.