

**Models-741, 742, 743, 852, 853, 961, 962, 963.**  
Stainless Steel Thermometer

*Temperature element*  
Inert Gas System

*Case*  
AISI 304 Stainless Steel  
Bezel Stainless Steel (Bayonet type)  
Weatherproof Construction

*Dial*  
White Aluminium (Black Printing)

*Pointer*  
Black Aluminium

*Window*  
Sheet Glass

*Standard Size*  
63, 100, 150mm

*Accuracy class*  
1%

*Scale Range*  
- 200 up to 650deg C.  
See standard scale range data sheet

*Stem*  
Stainless Steel.

*Stem Dia*  
6,8,10,12, or 12.7 mm  
(standard 12.7 mm)

*Capillary*  
Stainless Steel 1 to 33 mtrs

*Optional extras*  
AISI 316 Stainless Steel Case.  
Slot adjustable pointer / Black Finish.  
Window laminated Safety Glass / Perspex.  
Thermowells to user specification.  
Standard construction available on request.  
**Additional Variations: on request.**



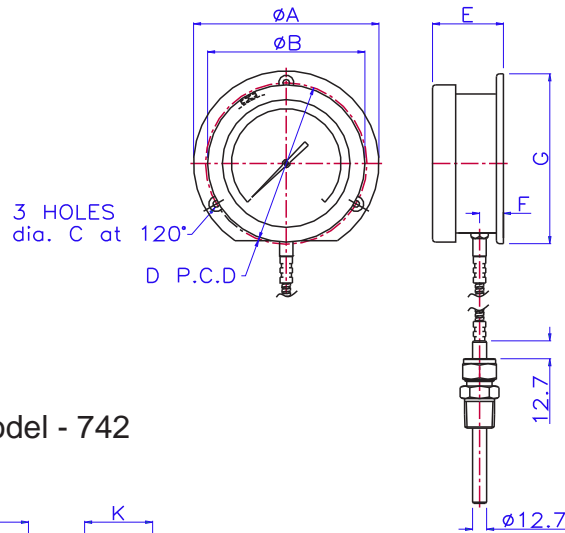
Model - 852

We manufacture a wide range of instruments to customer's special requirements  
We shall be pleased to discuss and advise on your specifications.

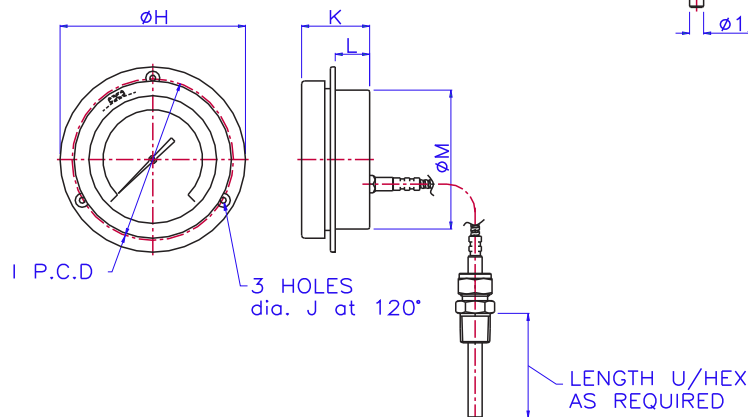
Specifications and dimensions given in this leaflet represent the state of engineering at the time of printing.  
Engineering modifications may take place without prior notice.

**Models-741, 742, 743, 852, 853, 961, 962, 963.**  
Stainless Steel Thermometer

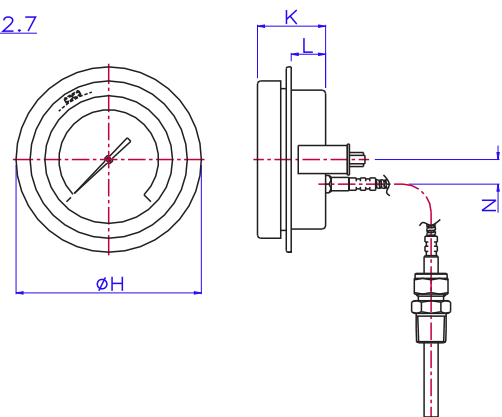
Model - 741



Model - 742



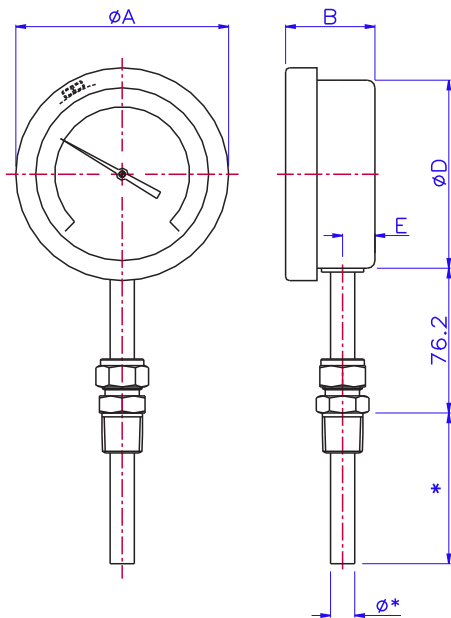
Model - 743



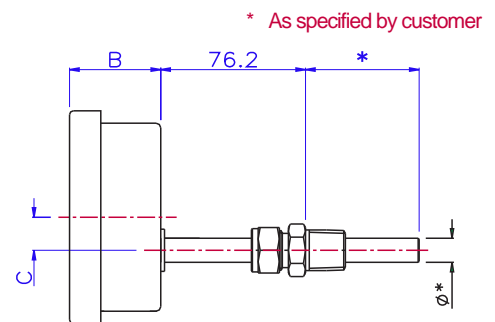
Dimensions Diameter	A	B	C	D	E	F	G	H	I	J	K	L	M	N	Panel Cut-out
63	85	68.5	3.5	75	39	15	78.5	85	75	3.5	37	21.5	62	18.5	66
100	132	112	6	118	50.5	19	121	132	118	6	48.5	24.5	99	17.5	106
150	185	162	5	168	50.5	19.5	174	185	168	5	48.5	24.5	148	17.5	153

**Models-741, 742, 743, 852, 853, 961, 962, 963.**  
Stainless Steel Thermometer

Model - 852



Model - 853

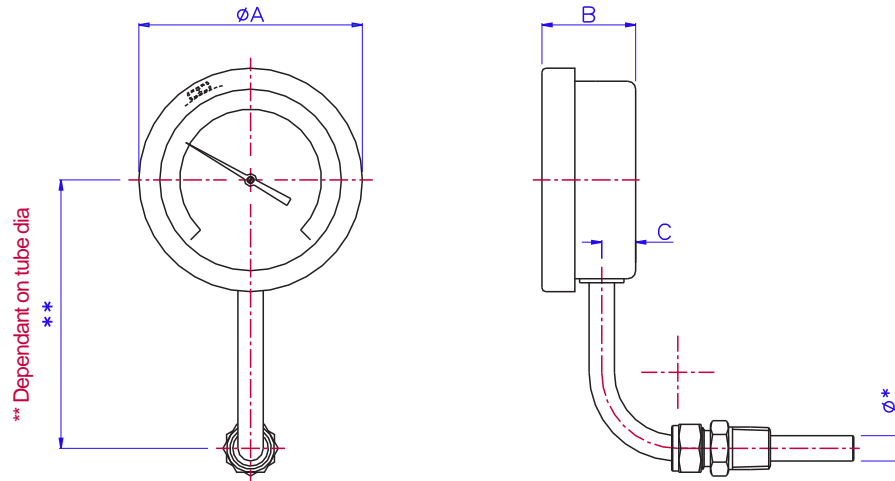


\* As specified by customer

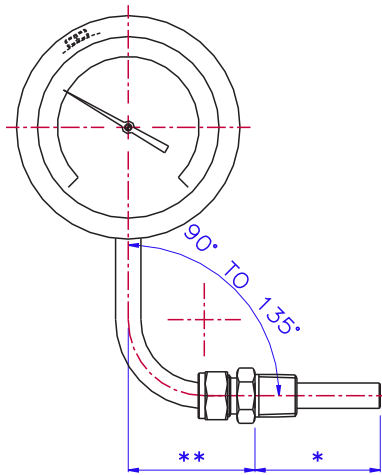
Dimensions Diameter	A	B	C	D	E
63	68.5	37	18.5	62	12
100	112	48.5	17.5	99	17
150	162	48.5	17.5	148	17

Models-741, 742, 743, 852, 853, 961, 962, 963.  
Stainless Steel Thermometer

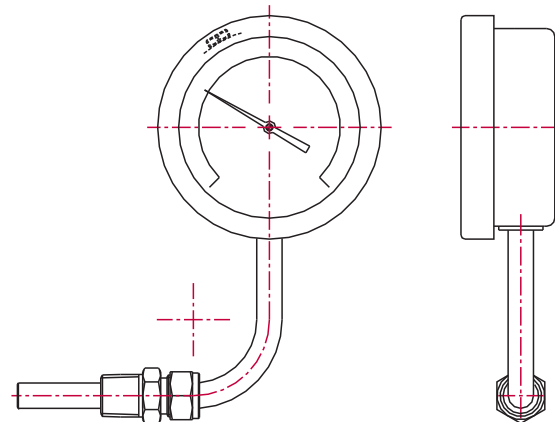
Model - 961



Model - 962



Model - 963



\* As specified by customer.  
\*\* Dependant on tube dia.

Dimensions Diameter	A	B	C	D
63	68.5	37	18.5	62
100	112	48.5	17.5	99
150	162	48.5	17.5	148