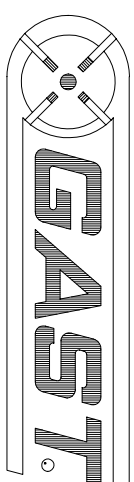


# Product Specifications



Post Office Box 97  
Benton Harbor, Michigan  
Ph: 269/926-6171  
Fax: 269/925-8288

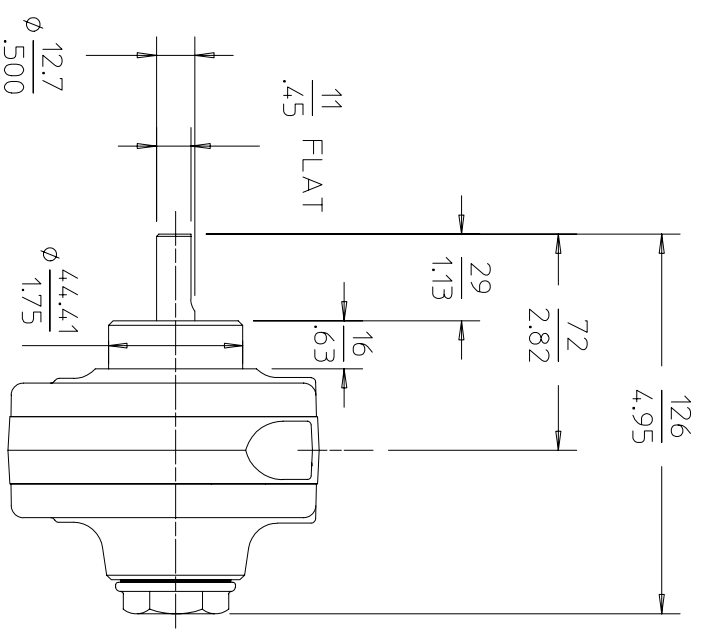
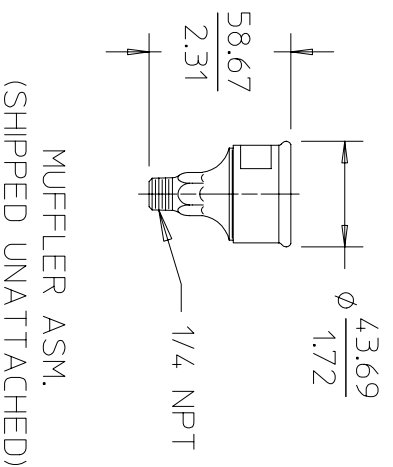
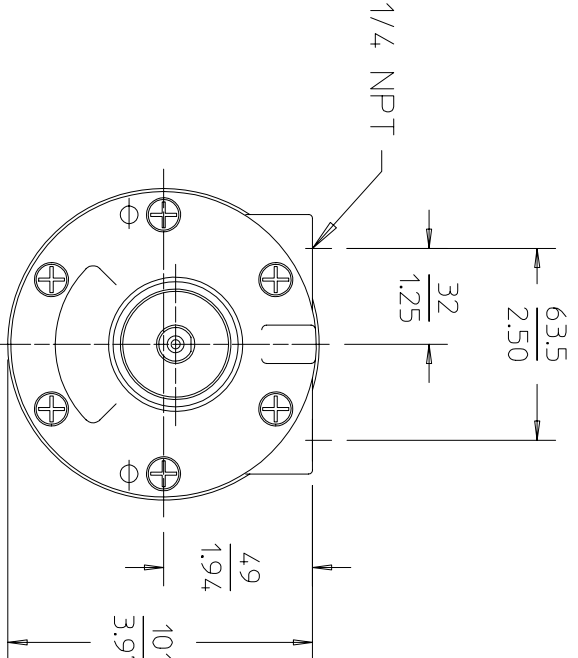
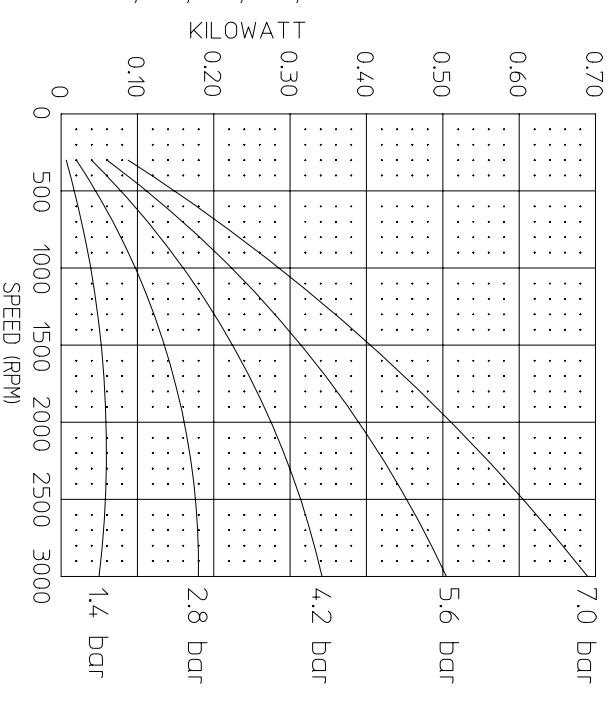
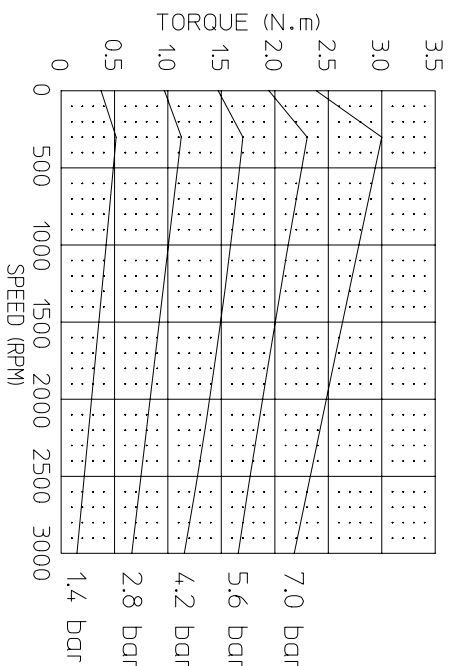
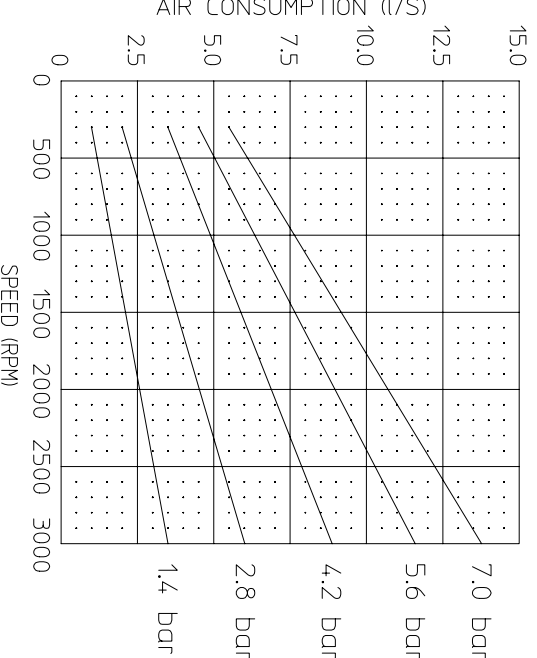
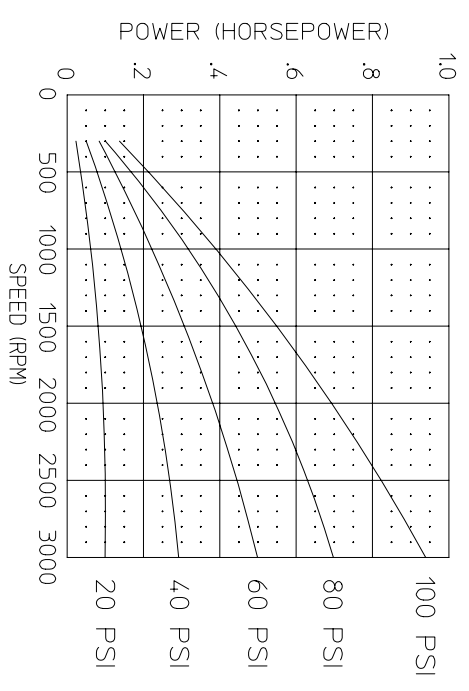
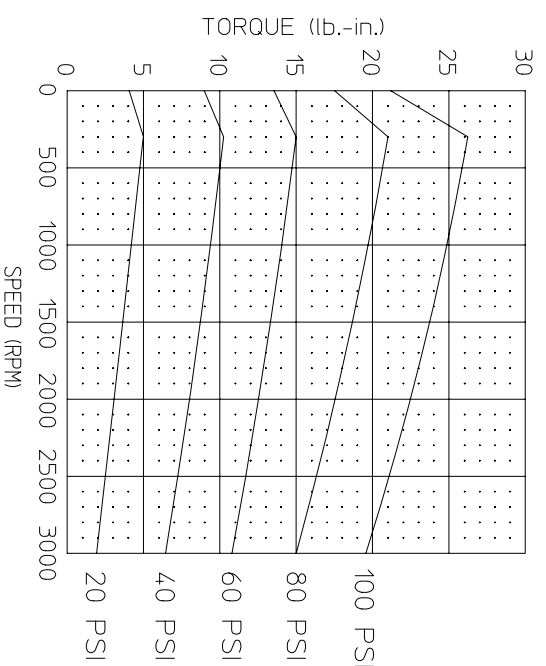
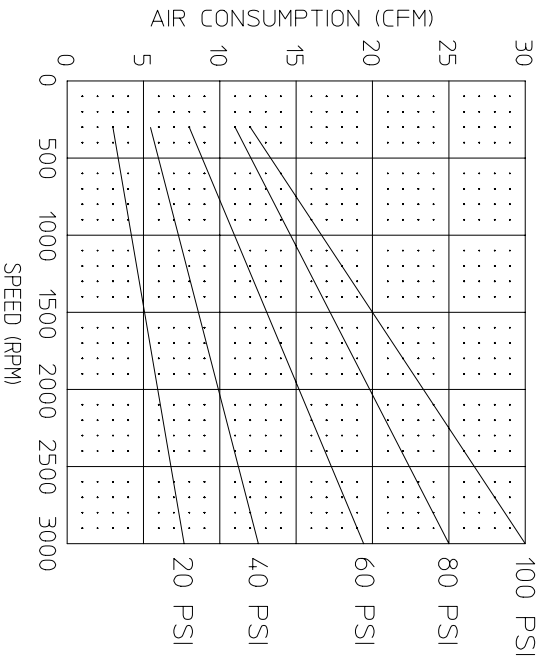
Model Number	MAX. PRESS.		MAX. SPEED	HP	KW	Net Wt.	
	bar.	PSI				lbs.	kg
2AM-NCC-16	7.0	100	3,000 RPM	.95	0.70	4.2	1.9
2AM-NCW-7A	7.0	100	3,000 RPM	.95	0.70	4.2	1.9
2AM-NCC-78	7.0	100	3,000 RPM	.95	0.70	4.2	1.9

PART NUMBER: STD113  
REVISION:   K  

SOUND LEVEL 76 dba MAX.  
NORMAL AMBIENT +1°C. - 120°C.  
RELATIVE HUMIDITY 0% - 100%  
ENVIRONMENT HAZARDOUS AMBIENT COMBUSTIBLE  
GAS AND DUST +1°C TO +40°C

CONFORMS TO EUROPEAN STANDARD EN13463-1  
NON-ELECTRICAL EQUIPMENT FOR EXPLOSIVE  
ATMOSPHERES GROUP II CAT 2 (GAS & DUST),  
PROTECTED BY CONSTRUCTION (SURFACE TEMP. RATED 135°C).

\* TECHNICAL DATA SUBJECT TO CHANGE WITHOUT NOTICE



www.hccl.ie