



Post Office Box 97  
Benton Harbor, Michigan  
Ph: 269/926-6171  
Fax: 269/925-8288

# Product Specifications

PART NUMBER: STD134  
REVISION: L

Model Number	MAX. PRESS.		MAX. SPEED	HP	kW	Net Wt.	
	bar.	PSI				lbs.	kg
6AM-ARV-54	7.0	100	3,000 RPM	4.0	3.0	21	9.5
* 6AM-ARV-54A	7.0	100	3,000 RPM	4.0	3.0	21	9.5
* 6AM-ARV-54B	7.0	100	3,000 RPM	4.0	3.0	21	9.5
6AM-ARV-55	7.0	100	3,000 RPM	4.0	3.0	21	9.5
* 6AM-ARV-77	7.0	100	3,000 RPM	4.0	3.0	21	9.5



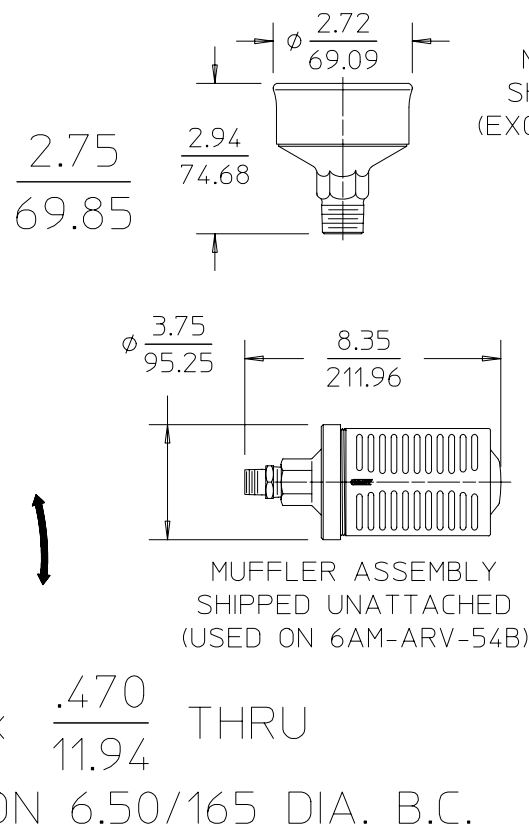
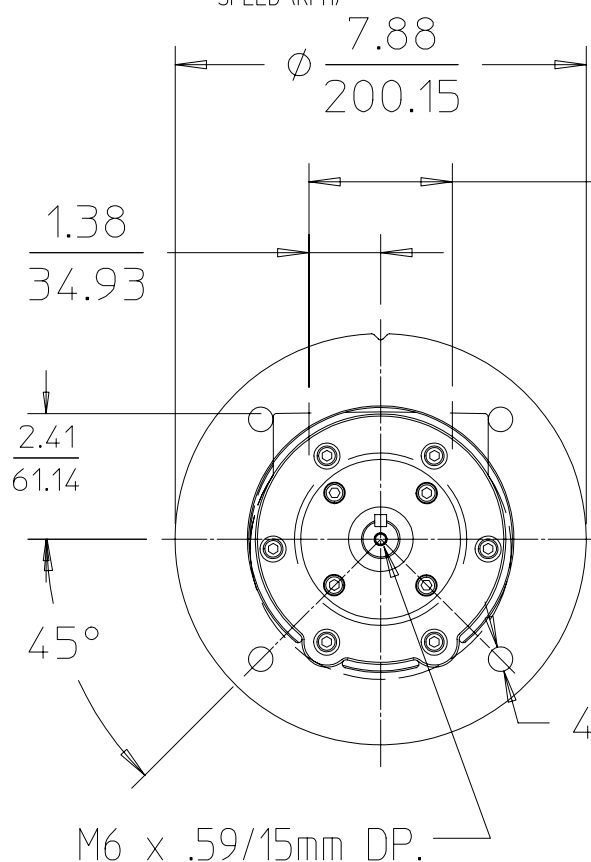
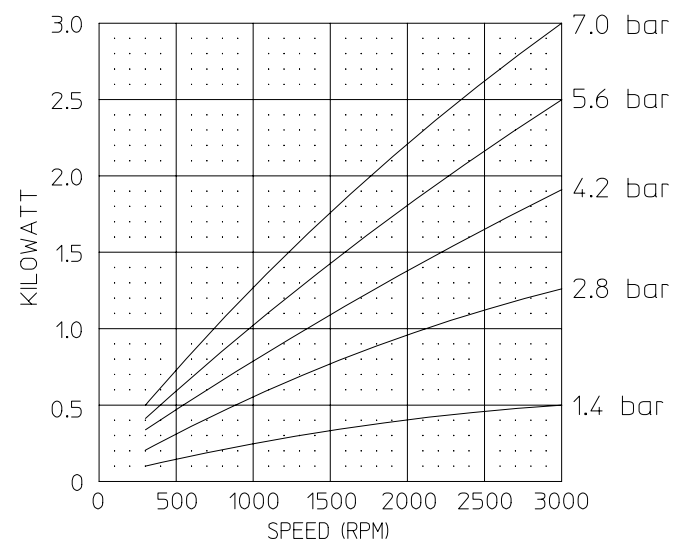
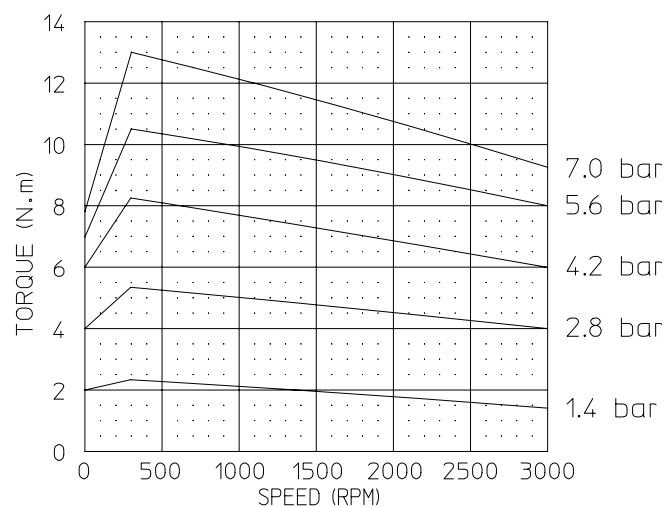
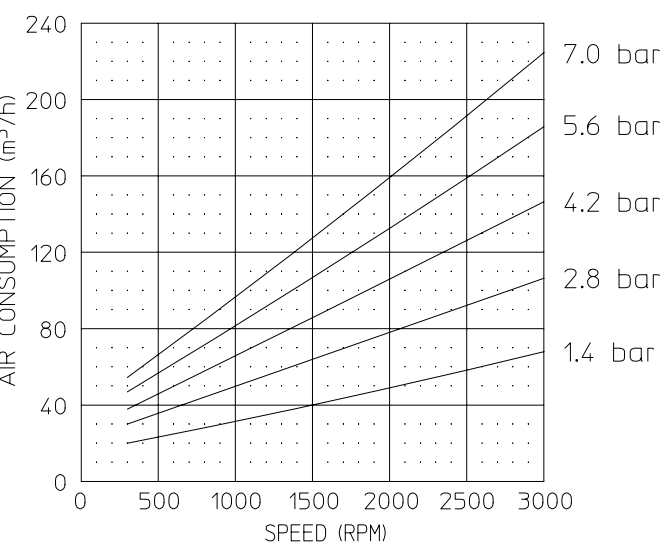
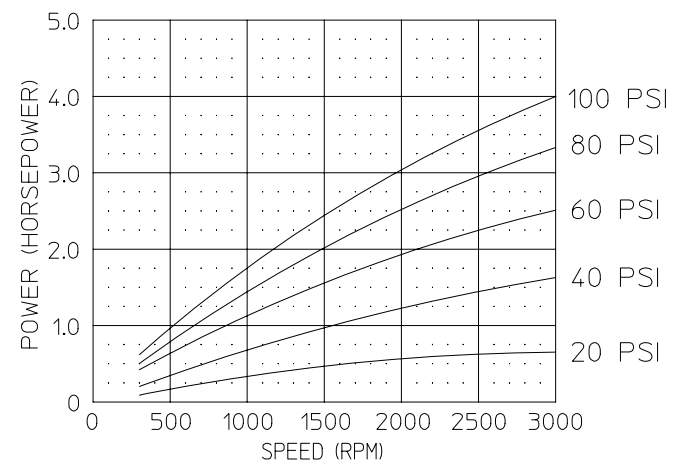
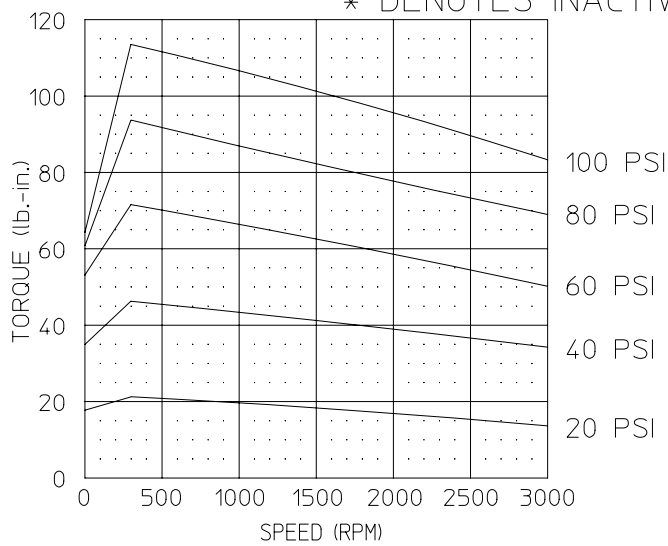
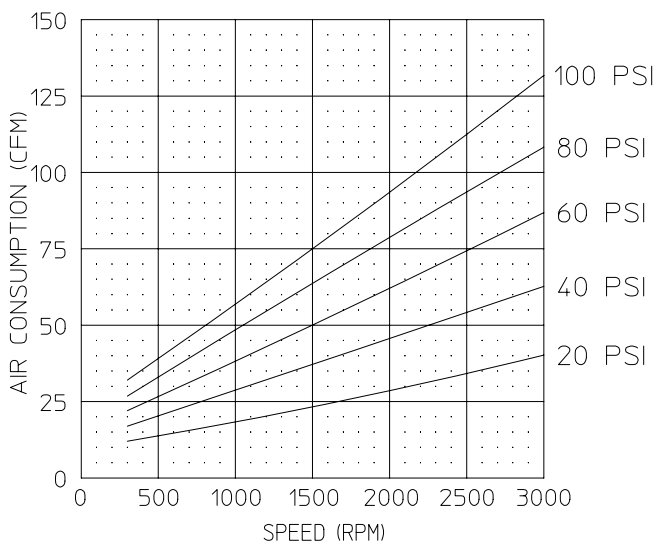
[www.hccl.ie](http://www.hccl.ie)

SOUND LEVEL 90 dB(A) MAX.  
NORMAL AMBIENT +1°C. - 120°C.  
RELATIVE HUMIDITY 0% - 100%  
ENVIRONMENT HAZARDOUS AMBIENT COMBUSTIBLE  
GAS AND DUST +1°C TO +40°C

CONFORMS TO EUROPEAN STANDARD EN13463-1  
NON-ELECTRICAL EQUIPMENT FOR EXPLOSIVE  
ATMOSPHERES GROUP II CAT 2 (GAS & DUST),  
PROTECTED BY CONSTRUCTION  
(SURFACE TEMP. RATED 135°C).

TECHNICAL DATA SUBJECT TO CHANGE WITHOUT NOTICE.  
DIMENSIONS SHOWN ARE FOR REF. ONLY.

\* DENOTES INACTIVE UNITS



MUFFLER ASSEMBLY  
SHIPPED UNATTACHED  
(EXCLUDING 6AM-ARV-54A)

MUFFLER ASSEMBLY  
SHIPPED UNATTACHED  
(USED ON 6AM-ARV-54B)

