

IR4000 Series

Single Stage, General Purpose Pressure Regulator
 Internally Threadless, Stainless Steel



Value Proposition:

The IR4000 Series regulator offers high pressure capability with an inlet pressure up to 4,000 psig. The large convoluted Hastelloy C-22[®] diaphragm provides stable pressure control over the operational range of the regulator.

Close tolerances and tight alignment of moving components minimize hysteresis and improve cycle life. Convoluted, Hastelloy C-22[®] diaphragm provides high corrosion resistance and increases cycle life.



Contact Information:

Parker Hannifin Corporation
Veriflo Division
 250 Canal Blvd
 Richmond, California 94804

phone 510 235 9590
 fax 510 232 7396
 veriflo.sales@parker.com

www.parker.com/veriflo
 Mobile App: m.parker.com/veriflo

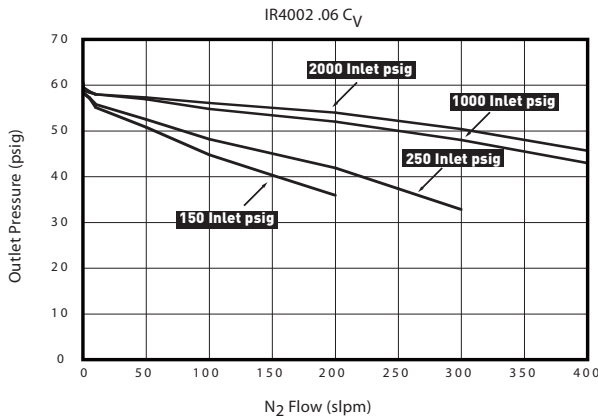
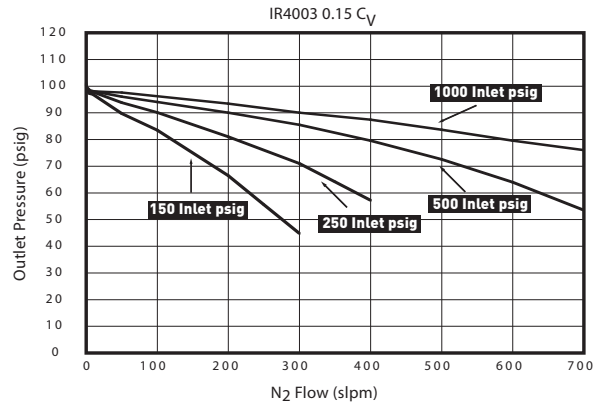
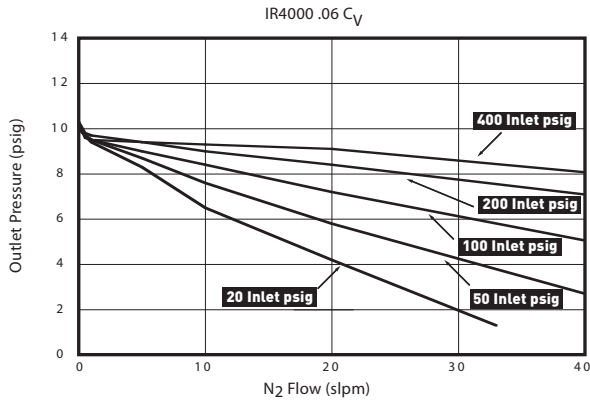
Product Features:

- Unique compression member loads the seal to the body without requiring a threaded nozzle or additional seals
- Positive upward and downward stops increase cycle life by preventing over stroking of the diaphragm
- Internally threadless design reduces particle generation. Low internal volume reduces purge times.
- Selection of seat materials for media compatibility and temperature applications
- Cleaned for O₂ service is standard
- Express Service Program available noted in *green italic print*

IR4000 SERIES

Flow Curves

Additional flow curves available upon request



RANGE TABLE			
Basic Model	Max Inlet PSIG		
	0.06 C _v	0.02 C _v	0.15 C _v
IR4000	400	400	400
IR4001	4000	4000	1250
IR4002	4000	4000	1250
IR4003	4000	4000	4000*
IR4004	4000	4000	1250
IR4005	4000	4000	1250
IR4015	4000	4000	4000*

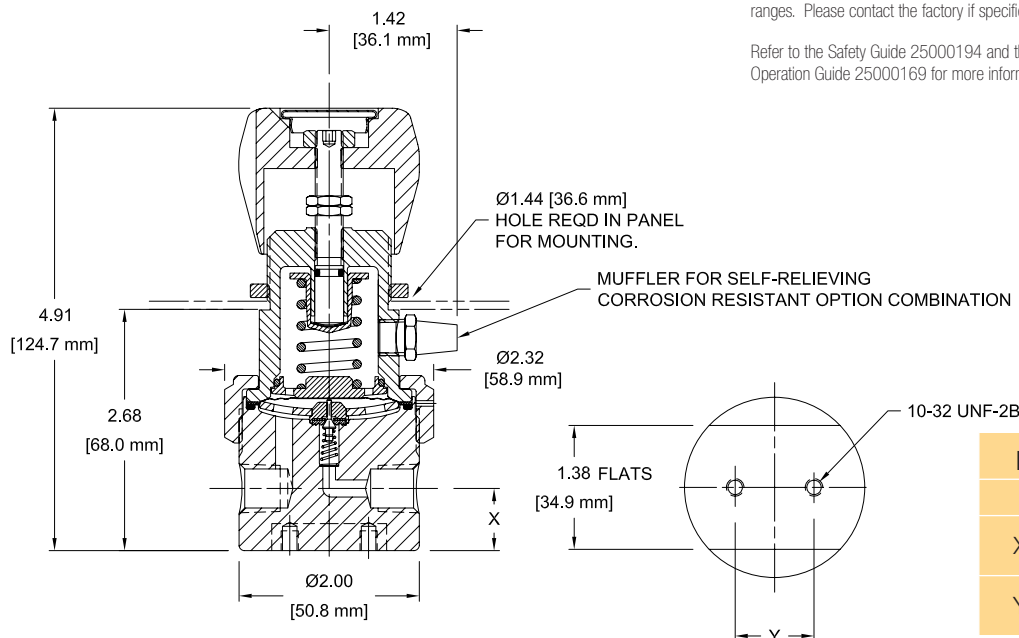
* 4000 PSIG max inlet pressure for PCTFE seats only (HP option).
1250 PSIG max inlet pressure for PEEK and Vespel seats.

When setting the delivery pressure, ensure that the maximum outlet pressure of the regulator is not exceeded for any operating condition including increases in delivery pressure due to flow shutoff and supply pressure effect. Supply pressure effect will result in a significant rise in outlet pressure as the inlet pressure decreases.

The stop settings will be adjusted to accommodate typical inlet and outlet pressure ranges. Please contact the factory if specific stop settings are required.

Refer to the Safety Guide 25000194 and the Pressure Regulators Installation and Operation Guide 25000169 for more information.

Dimensional Drawing



PORT MOUNTING		
	A	B (Std)
X	0.69 (17.5mm)	0.75 (19.1mm)
Y	0.88 (22.2mm)	0.75 (19.1mm)

Safety Guide and Installation and Operating Instructions available at

www.parker.com/veriflo

IR4000 SERIES

Ordering Information

Build an IR4000 Series regulator by replacing the numbered symbols with an option from the corresponding tables below.

Color Explanations: Black = Standard Lead Time Configurations
 Blue = Extended Lead Time Configurations
 Green *Italic* = Express Service Program (ESP)

For an explanation of Ordering options please reference literature 25000275 at www.parker.com/veriflo



Sample: **IR40 02 S K 4P 01 30 4 B R 580**

Finished Order: **IR4002SK4P01304BR580**

1 Basic Series

Range	Outlet Gauge
00 = 0 - 10 psig	0 - 30 psig
01 = 1 - 30 psig	0 - 60 psig
02 = 2 - 60 psig	0 - 100 psig
03 = 3 - 100 psig	0 - 200 psig
15 = 5 - 150 psig	0 - 200 psig
04 = 10 - 250 psig	0 - 400 psig
05 = 20 - 500 psig	0 - 600 psig

2 Body Material (1)

- S = 316L Stainless Steel
- H = Hastelloy C-22® SST gauges
- M = Monel® SST gauges
- A = 316L Annealed, ≤22HRC

3 Flow Capacity

- = 0.06 C_v Standard
- 1 = 0.02 C_v
- 2 = 0.15 C_v

4 Seat Material

- K = PCTFE
- P = PEEK™
- V = Vespel®

5 Porting

- 2P = 2 Ports No X required for gauges, inlet & outlet ports only
 - 3P = 3 Ports One X for gauge port
 - 4P = 4 Ports Two X's for gauge ports
 - 4PB = 4 Ports One X for gauge port
 - 5P = 5 Ports Two X's for gauge ports
- See Regulator Porting Guide for additional options and port layouts

Note: Ports may be plugged for NPT threaded product.

6 Outlet Gauge

Outlet Gauge	Basic Series
03 = 0 - 30 psig	IR4000
OL = 0 - 60 psig	IR4001
01 = 0 - 100 psig	IR4002
2 = 0 - 200 psig	IR4003
4 = 0 - 400 psig	IR4004
6 = 0 - 600 psig	IR4005
X = No Gauge	

Additional ranges available upon request

7 Inlet Gauge

- X = No Gauge
- 30 = 3000 psig Standard
- 4 = 400 psig with the 10 psig range
- 20 = 2000 psig with the 0.15 C_v option
- 40 = 4000 psig

Additional ranges available upon request

8 Port Style

- 2 = 1/8" NPT Female
- 4 = 1/4" NPT Female
- 6 = 3/8" NPT Female
- 4T = 1/4" A-LOK®
- 6T = 3/8" A-LOK®

All Gauge ports are 1/4" NPT Female

9 Port Mounting

- A = 0.69 (17.5mm) port height w/0.88 (22.2mm) mounting
- B = 0.75 (19.1mm) port height w/0.75 (19.1mm) mounting

Standard

10 Optional Features

This section can have multiple options

- B = True Ported Body No plugs
- C = Corrosion Resistant External Stainless Steel Cap
- D = Dome Loaded Not available with G or M options
- G = Tamper Proof Not available with D or M options
- M = Metal Knob (Black) Not available with D or G options. Required for temperatures above 150° F
- L = PTFE Backup O-Ring PCTFE and PEEK™ Seats Only
- R = Relief Valve 4PB and 5P Only
- S = Self Relieving Temperature rating -40°F to 150°F (-40°C to 66°C)
- V = Outlet Valve NV17SS44MF
- T = Hastelloy Trim Includes carrier and back-up washer. Option is for Stainless Steel body - Hastelloy® trim is std with Hastelloy® and Monel® bodies
- HP = 4000 psig Max Inlet Pressure For .15 C_v IR4003 and IR4015 with PCTFE seats only

Note: Panel Mount Option:

Order Panel Nut Ring p/n: 41900363 as a separate line item.

Vent Muffler Option:

Order Vent Muffler p/n: 46600581 as a separate line item.

Vent Muffler is standard for the Self-Relieving(S), Corrosion Resistant(C) option combination.

11 CGA#

320, 330, 350, 510, 580, 590 or 660
 Do not exceed the rated pressure of the CGA connection.

NOTE:

(1) Option recommendations for H₂S-containing fluids

Body option "H" (Hastelloy C-22®) and "A" (316L annealed, ≤22HRC) utilize materials for critical wetted parts that are compliant with NACE® standard MR0175/ISO 15156-3:2003/Cor.2:2005(E), Petroleum and natural gas industries – Materials for use in H₂S-containing environments in oil and gas production, Part 3: Cracking-resistant CRAs (corrosion-resistant alloys) and other alloys. These wetted materials are resistant to cracking in H₂S - containing fluids, but are not necessarily immune to cracking under all service conditions. The user should consult MR0175/ISO 15156 for further guidance. The user should consult Instrumentation Product Division Catalog 4230/4233 for A-Lok Tube Fitting application recommendations. It is the user's responsibility to select materials suitable for the intended service.

The following options and accessories are **not** recommended for H₂S-containing fluids:

- Pressure gauges
- S – Self Relieving
- R - Relief valve
- V – Outlet Valve NOVAS44MF
- CGA connections

IR4000 Series

Specifications

Materials of Construction	
Wetted	See Note (1) on Page 3
Body Options	316L Stainless Steel (std), Hastelloy C-22® or Monel® (Hastelloy® Trim is std with Hastelloy® and Monel® bodies)
Compression Member	Inconel 625®
Diaphragm	Hastelloy C-22®
Poppet	Hastelloy C-276®
Poppet Spring	Inconel X750®
Seat Options	PCTFE (std), Vespel® or PEEK™
Carrier Options	316L Stainless Steel (std) or Hastelloy C-22®
Washer Back-up Options	316 Stainless Steel (std) or Hastelloy C-276®
O-ring Back-up Options	FKM (std) or PTFE
Inlet Screen / Filter	316 Stainless Steel (std) (60µm mesh screen, 10µm Filter) Hastelloy® (on Hastelloy®, Monel® bodies)
Self Relieving Seat	PEEK™
Non-wetted	
Cap Options	Nickel Plated Brass (std) or Stainless Steel
Nut	Stainless Steel
Knob Options	ABS (std) (ambient temp) or Aluminum

For additional information on materials of construction, functional performance and operating conditions, see Regulator Technical Bulletin.

A-LOK® is a registered trademark of Parker Hannifin Corporation
Hastelloy C-22® and Hastelloy C-276® are registered trademarks of Haynes International, Inc.
PEEK™ is a trademark of Victrex plc.
Inconel® and Monel® are registered trademarks of Special Metals Corporation.
Vespel® is a registered trademark of DuPont Performance Elastomers L.L.C.

Functional Performance	
Design	
Burst Pressure	12,000 psig (828 barg)
Proof Pressure	6,000 psig (414 barg)
Flow Capacity	
C _v Options	C _v 0.06 (std), C _v 0.02, C _v 0.15
Leak Rate	
Internal	Bubble Tight
External	Bubble Tight
Supply Pressure Effect	Based upon C _v Option
0.02 C _v	0.23 psig/100 psig (0.016 barg/7 barg)
0.06 C _v	0.6 psig/100 psig (0.04 barg/7 barg)
0.15 C _v	1.5 psig/100 psig (0.1 barg/7 barg)
Internal Volume	4.0 cc without fittings
Approx. Weight	1.5 lbs. (0.7 kg)
Operating Conditions	
Maximum Inlet	Refer to Range Table for specific information
Outlet Options	0-10 psig (.7 barg), 1-30 psig (2 barg), 2-60 psig (4 barg), 3-100 psig (7 barg), 5-150 psig (10 barg), 10-250 psig (17 barg), 20-500 psig (35 barg)
Temperature	Metal Knob required for temperatures above 150°F
PCTFE	-40°F to 150°F (-40°C to 66°C)
PEEK™	-40°F to 275°F (-40°C to 135°C)
Vespel®	-40°F to 500°F (-40°C to 260°C)
Self Relieving Option	-40°F to 150°F (-40°C to 66°C)

OFFER OF SALE:

The items described in this document are hereby offered for sale by Parker-Hannifin Corporation, its subsidiaries or its authorized distributors. This offer and its acceptance are governed by the provisions stated in the detailed "Offer of Sale" elsewhere in this document or available at www.parker.com/veriflo

WARNING USER RESPONSIBILITY

FAILURE OR IMPROPER SELECTION OR IMPROPER USE OF THE PRODUCTS DESCRIBED HEREIN OR RELATED ITEMS CAN CAUSE DEATH, PERSONAL INJURY AND PROPERTY DAMAGE. THIS DOCUMENT IS FOR REFERENCE ONLY. PLEASE CONSULT FACTORY FOR LATEST PRODUCT DRAWINGS AND SPECIFICATIONS

This document and other information from Parker-Hannifin Corporation, its subsidiaries and authorized distributors provide product or system options for further investigation by users having technical expertise.

The user, through its own analysis and testing, is solely responsible for making the final selection of the system and components and assuring that all performance, endurance, maintenance, safety and warning requirements of the application are met. The user must analyze all aspects of the application, follow applicable industry standards, and follow the information concerning the product in the current product catalog and in any other materials provided from Parker or its subsidiaries or authorized distributors.

To the extent that Parker or its subsidiaries or authorized distributors provide component or system options based upon data or specifications provided by the user, the user is responsible for determining that such data and specifications are suitable and sufficient for all applications and reasonably foreseeable uses of the components or systems.

The products described herein, including without limitation, product features, specifications, designs, availability and pricing are subject to change by Parker Hannifin Corp and its subsidiaries at any time without notice.

Proposition 65 Warning: This product contains chemicals known to the state of California to cause cancer or birth defects or other reproductive harm.

© 2009 Parker Hannifin Corporation



Use mobile device to scan this QR Code.

LitPN: 25000226

Rev: N

Date of Issue 03/2013



Hanley Controls Clonmel Ltd
Gortnafeur, Clonmel, Co. Tipperary
Tel: +353 (0)52 6122722
e-mail: info@hcc.ie
web: www.hcc.ie

ENGINEERING YOUR SUCCESS.