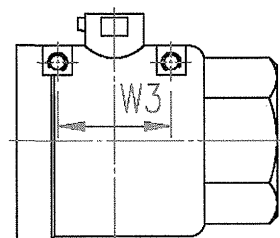
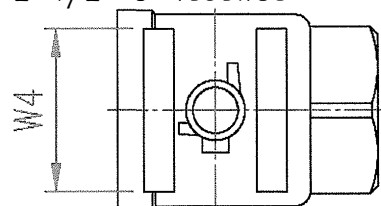
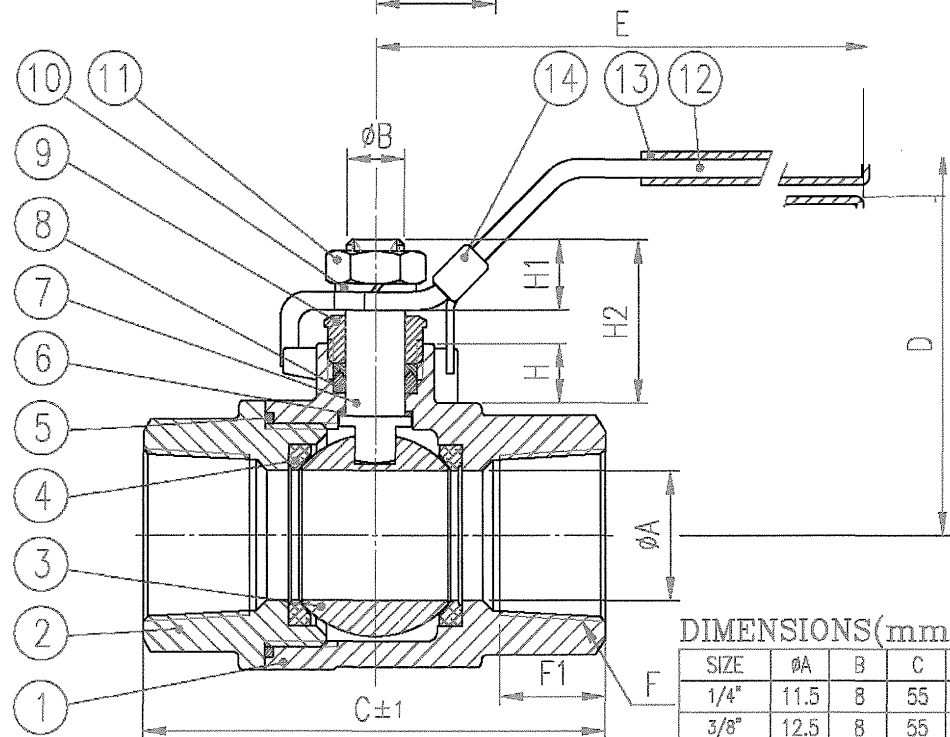


Mounting Location for
1/4"~2"

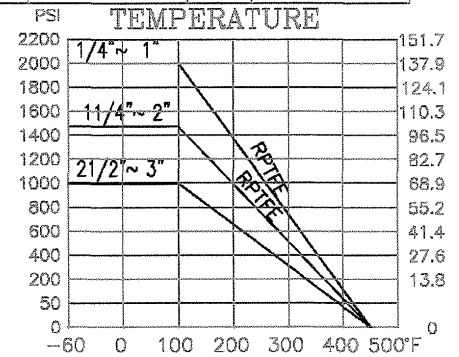
20-40
2-PIECE FULL PORT BALL VALVES
1/4"~3" DN8~DN80
THREADED ENDS
1/4"~1" 2000WOG
1-1/4"~2" 1500WOG
2-1/2"~3" 1000WOG



Top Mounting Location
For 2-1/2"~3"

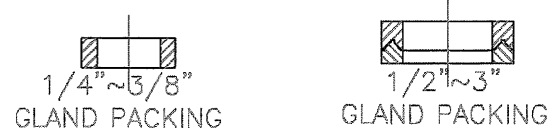
MATERIALS LIST

NO.	PART NAME	QTY	MATERIAL
1	Body	1	CF8M/WCB
2	End Cap	1	CF8M/WCB
3		1	
	Seat	2	SS316
4	Joint Gasket	1	PTFE
5	Thrust Washer	1	PTFE
6		1	
7	Stem	1	SS316
8	Gland Packing	1 Set	PTFE
9	Gland Bush	1	SS304
10	Stem Washer	1	SS304
11	Stem Nut	1	SS304
12	Handle	1	SS304
13	Handle Sleeve	1	VINYL
14	Locking Device	1	SS304



DIMENSIONS(mm)

SIZE	øA	B	C	D	E	F1	F	G	H	H1	H2	W1	W2	W3	W4	W(Kg)
1/4"	11.5	8	55	50	100	15	1/4" NPT	5	8	9.8	22.3	12.7	28.5			0.23
3/8"	12.5	8	55	50	100	15	3/8" NPT	5	8	9.8	22.3	12.7	28.5			0.23
1/2"	15	9.5	65	60	130	16	1/2" NPT	6.5	10.5	11	25.6	12.7	28.5			0.38
3/4"	20	9.5	74.6	64	130	17	3/4" NPT	6.5	10.5	11	25.6	22.4	35			0.52
1"	25	11	88	71	165	20.4	1" NPT	8	11.5	13.5	31.5	23.4	35			0.92
1-1/4"	32	11	102	78	165	22	1 1/4" NPT	8	11.5	13.5	31.5	25.4	38.1			1.32
1-1/2"	38	14	110	86	190	22.5	1 1/2" NPT	9.7	12	15.6	35.1	25.4	38.1			1.9
2"	50	14	125	95	190	26	2" NPT	9.7	9.5	15.6	30.6	25.4	38.1			3.12
2-1/2"	65	19	160.6	130	250	31	2 1/2" NPT	12	17	24.5	54.2			59	61	6.5
3"	80	19	178	148	250	34	3" NPT	12	18	24.5	55.2			70	71	9.3



HANLEY CONTROLS

CLONMEL

www.hccl.ie

REASON FOR CHANGE

ORDER DATE

Legend CHANGE BY

REMARK

MATERIAL	DATE	2004'09, 01	CHECKED BY	DRAW BY	Flora L
DRAWING	M20-40	DRAWING NAME	Series 20-40		



MARS VALVE CO., LTD.