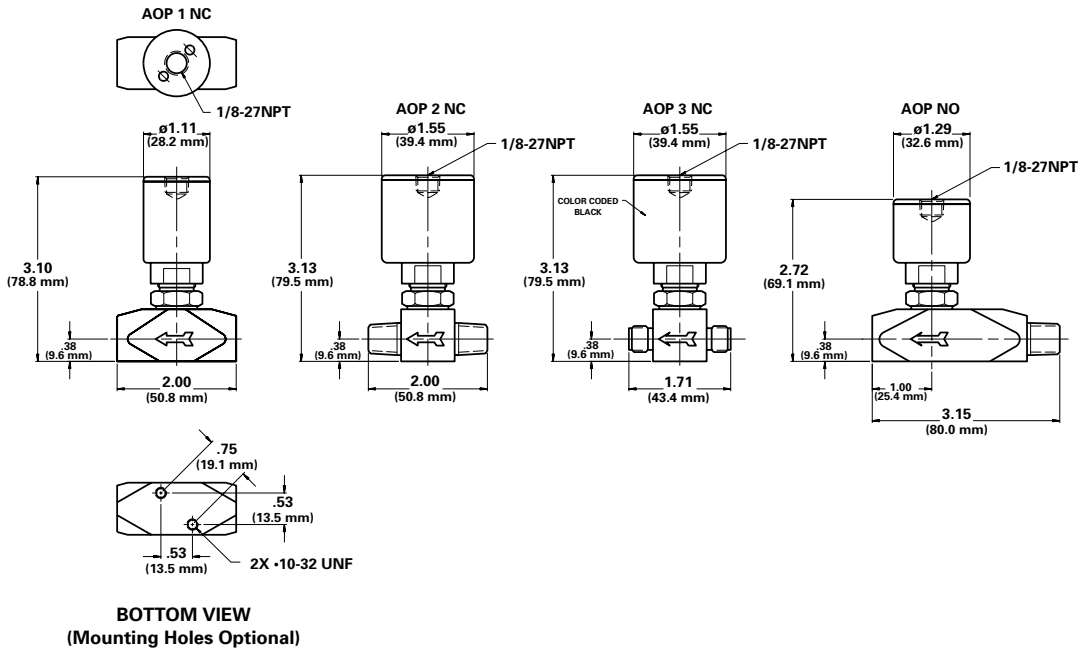


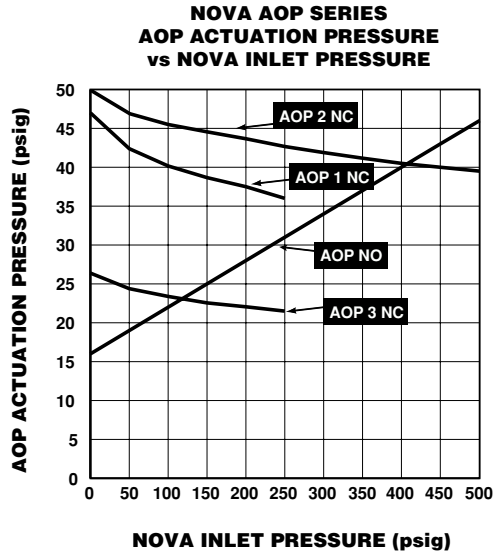
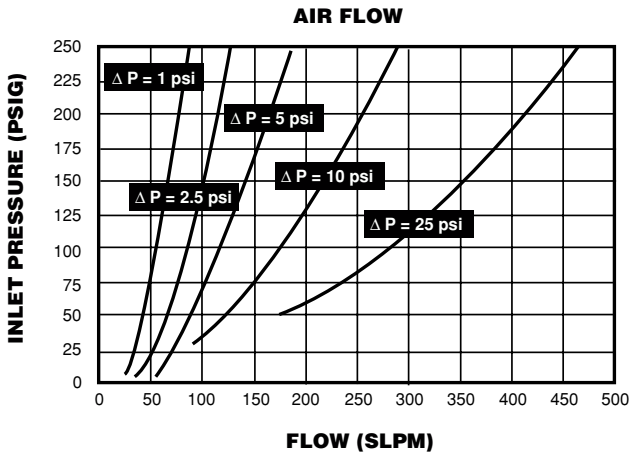


# Nova-AOP Series

## Cross Sectional Drawing



## Flow Curve



## Ordering Information

NOVAAOP 1 S 44TT VESP

**BASIC SERIES**  
NOVAAOP = Air Operated

**STYLE**  
1 = Normally Closed - 250 psig\*  
2 = Normally Closed - 500 psig\*\*  
3 = Normally Closed - 250 psig\*\*\*  
NO = Normally Open - 500 psig\*\*\*\*

**MATERIAL**  
B = Brass  
S = Stainless Steel  
M = Monel

### OPTIONS

VESP = VespeI®  
NP = Nickel Plating  
MH = Mounting Holes  
G = Gauge Port

### CONNECTION (Inlet & Outlet)

44FF = 1/4" NPT Female In x 1/4" NPT Female Out  
44MM = 1/4" NPT Male In x 1/4" NPT Male Out  
44MF = 1/4" NPT Male In x 1/4" NPT Female Out  
44TT = 1/4" Compression In x 1/4" Compression Out

\* Minimum Actuation Pressure 65psig  
\*\* Minimum Actuation Pressure 75 psig  
\*\*\* Minimum Actuation Pressure 40 psig  
\*\*\*\* Minimum Actuation Pressure 50 psig at 500 psig inlet.

Kel-F 81® is a registered trademark of 3M Company.  
Elgiloy® is a registered trademark of Elgiloy Company.  
VespeI® is a registered trademark of DuPont Company.

**Parker Hannifin Corporation**

**Veriflo Division**  
250 Canal Boulevard, P.O. Box 4034  
Richmond, CA 94804-0034  
Phone (510) 235-9590 • Fax (510) 232-7396



Hanley Controls Clonmel Ltd  
ScotchAfor, Clonmel, Co. Tipperary  
Tel: +353 (0)51 432772  
e-mail: info@hcc.ie  
web: www.hcc.ie

**Premium Products,  
Powerful Solutions.**

**Parker**  
Instrumentation