



Check Valves, Filters and Relief Valves

Catalog 4135-CV

December 2010

aerospace
climate control
electromechanical
filtration
fluid & gas handling
hydraulics
pneumatics
process control
sealing & shielding

Introduction

Parker PG Series Purge Valves may be utilized as either bleed, purge, or drain valves. The compact valve requires only a quarter turn with a wrench from finger-tight to ensure a leak-tight seal on the first make-up. Additional wrenching ensures a leak-tight seal up to the rated pressure.

Features

- ▶ A 0.055 inch (1.4 mm) diameter vent hole in the cap bleeds, drains, or purges system pressure
- ▶ Hex cap permits finger-tight or wrench assisted closure
- ▶ Crimped cap resists accidental disassembly
- ▶ A variety of body styles offers system design flexibility, reduced space requirements, and helps to eliminate leak paths
- ▶ Available in a variety of end configurations including: CPI™, A-LOK®, male and female NPT, SAE, and Tube Adapter connections
- ▶ 100% factory tested
- ▶ Optional PTFE Ball requires only finger-tight torque to achieve a leak-tight seal

Specifications

Temperature Rating:

Stainless Steel.....-65°F to 600°F (-54°C to 316°C)
 Brass-65°F to 400°F (-54°C to 204°C)
 Carbon Steel.....-20°F to 350°F (-29°C to 177°C)
 PTFE Ball Option.....-65°F to 350°F (-54°C to 177°C)

Pressure Rating:

Stainless Steel.....4000 psig (276 bar) CWP
 Brass3000 psig (207 bar)
 Carbon Steel.....3000 psig (207 bar)
 PTFE Ball Option.....200 psig (14 bar)

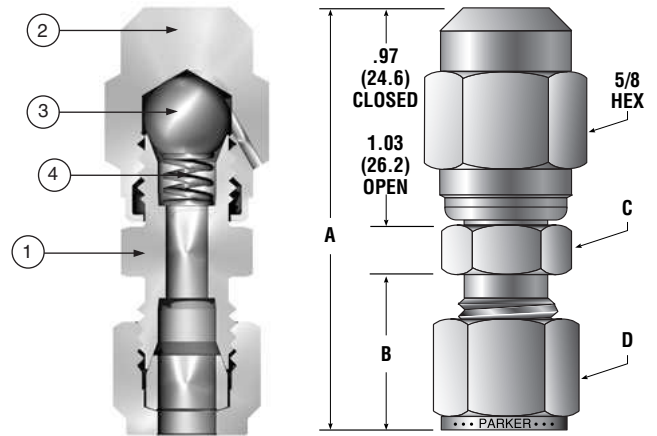
Caution

These valves do not have a cap thread seal. It is imperative to open the valve slowly and direct the vent hole away from persons operating or near the valve. Because of the absence of a cap seal, small amounts of media will flow through the cap thread area when the valves are opened.

PTFE Ball Option

Purge Valves with the PTFE ball option require only finger-tight operation for leak-tight shut-off and are designed with a removable cap for ball replacement.

Materials of Construction and Dimensions



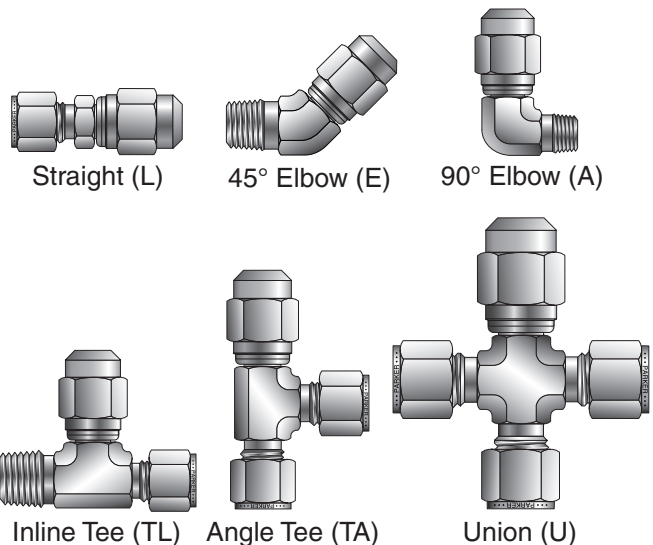
() Denotes dimensions in millimeters

Models Shown: 4Z-PG4L-SS

Item #	Part	Stainless Steel	Carbon Steel	Brass
1	Body	ASTM A479, Type 316	ASTM A108, Grade 12L14	ASTM B16, Alloy C36000
2	Cap	ASTM A479, Type 316	ASTM A108, Grade 12L14	ASTM B16, Alloy C36000
3	Ball	316 Stainless Steel*		
4	Vent Tube	316 Stainless Steel		

*Optional PTFE Ball available
 Lubrication: Molybdenum disulfide with soft metallic fillers

Available Purge Valve Models



PG

Dimensions

Dimensions in inches (millimeters) are for reference only, subject to change.

End Connections		Dimensions							
		A* (Closed)*		B*		C (hex)		D (hex)	
		inch	mm	inch	mm	inch	mm	inch	mm
2A	1/8" A-LOK® Compression	1.79	45.5	0.60	15.2	0.50	12.7	0.44	11.2
2Z	1/8" CPI™ Compression	1.79	45.5	0.60	15.2	0.50	12.7	0.44	11.2
2M	1/8" Male NPT	1.56	39.6	0.38	9.7	0.50	12.7	-	-
2F	1/8" Female NPT	1.50	38.1	0.53	13.5	0.56	14.2	-	-
2TA	1/8" Tube Adapter	1.69	42.9	0.55	14.0	0.50	12.7	-	-
4A	1/4" A-LOK® Compression	1.88	47.8	0.70	17.8	0.50	12.7	0.56	14.2
4Z	1/4" CPI™ Compression	1.88	47.8	0.70	17.8	0.50	12.7	0.56	14.2
4M	1/4" Male NPT	1.76	44.7	0.56	14.2	0.56	14.2	-	-
4F	1/4" Female NPT	1.69	42.9	0.72	18.3	0.75	19.1	-	-
4F5	1/4" Male SAE	1.78	45.2	0.41	10.4	0.75	19.1	-	-
4TA	1/4" Tube Adapter	1.91	48.5	0.72	18.3	0.50	12.7	-	-
6A	3/8" A-LOK® Compression	1.98	50.3	0.76	19.3	0.63	16.0	0.69	17.5
6Z	3/8" CPI™ Compression	1.98	50.3	0.76	19.3	0.63	16.0	0.69	17.5
6M	3/8" Male NPT	1.78	45.2	0.56	14.2	0.69	17.5	-	-
6F	3/8" Female NPT	1.75	44.5	0.78	19.8	0.88	22.4	-	-
6TA	3/8" Tube Adapter	1.97	50.0	0.78	19.8	0.50	12.7	-	-
M6A	6mm A-LOK® Compression	1.88	47.8	0.70	17.8	0.55	14.0	0.55	14.0
M6Z	6mm CPI™ Compression	1.88	47.8	0.70	17.8	0.55	14.0	0.55	14.0
8A	1/2" A-LOK® Compression	2.12	53.8	0.87	22.1	0.81	20.6	0.88	22.4
8Z	1/2" CPI™ Compression	2.12	53.8	0.87	22.1	0.81	20.6	0.88	22.4
8M	1/2" Male NPT	2.03	51.6	0.75	19.1	0.88	22.4	-	-
8F	1/2" Female NPT	1.94	49.3	0.97	24.6	1.06	26.9	-	-
8F5	1/2" Male SAE	2.08	52.8	0.47	11.9	1.13	28.7	-	-
8TA	1/2" Tube Adapter	2.22	56.4	1.03	26.2	0.56	14.2	-	-
M8A	8mm A-LOK® Compression	1.97	50.0	0.75	19.1	0.63	16.0	0.63	16.0
M8Z	8mm CPI™ Compression	1.97	50.0	0.75	19.1	0.63	16.0	0.63	16.0

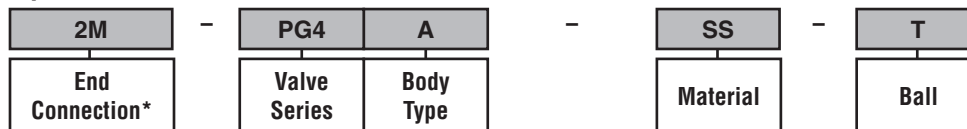
* For CPI™ and A-LOK®, dimensions are measured with nuts in the finger tight position.

How to Order

The correct part number is easily derived from the following example and ordering chart. The seven product characteristics required are coded as shown in the chart.

The example below describes a stainless steel, 90° angle body PG4 Purge Valve with a 1/8" male NPT port configuration and a PTFE Ball.

Example: 2M-PG4A-SS-T



End Connection*				Valve Series	Body Type	Material	Ball		
2A	4A	6A	8A	M6A	PG4	L	SS	Blank	
2Z	4Z	6F	8F	M6Z		A			Stainless Steel
2F	4F	6M	8F5*	M8A		E	B	T	
2M	4F5**	6TA	8M	M8Z		45° Elbow			Brass
2TA	4M	6Z	8TA			TL	S		
4TA			8Z			Tee with Inline Flow		Carbon Steel	
						TA			
						U			

* If the ports are the same, only specify one end connection.

** Male SAE port will be supplied with a fluorocarbon rubber O-ring by adding O after F5; i.e., 4F5O.

Option

Oxygen Cleaning – Add the suffix **-C3** to the end of the part number to receive valves cleaned for oxygen service per IVD Specification ES8003. **Example: 2M-PG4A-SS-T-C3**

Dimensions in inches (millimeters) are for reference only, subject to change.

