



Ball and Plug Valves

Catalog 4121-BV

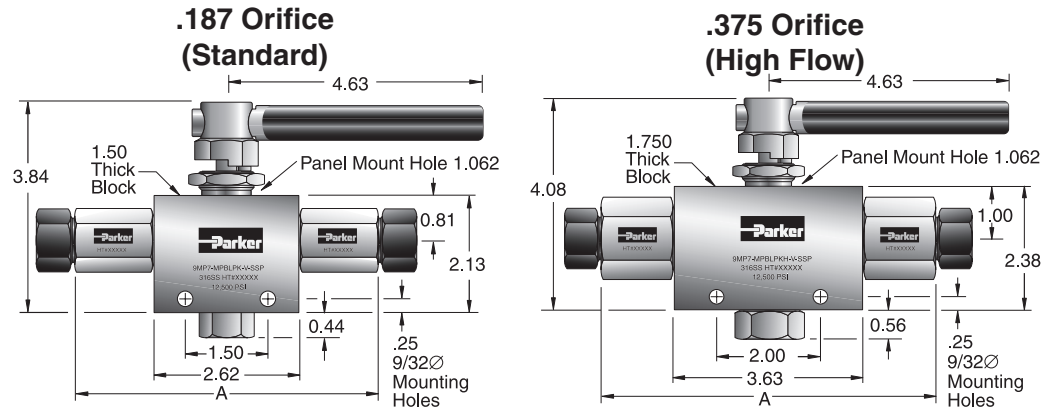
July 2014

aerospace
climate control
electromechanical
filtration
fluid & gas handling
hydraulics
pneumatics
process control
sealing & shielding

MPB Series Valves

Parker MPB series manually, pneumatically and electrically actuated two-way and three-way ball valves are designed for 1/4 and 1/2 turn media shutoff or switching applications up to 20,000 psi. Our trunion style ball design and spring loaded seats make the MPB series ideal for severe service applications. The end connector design enables a variety of end connections and combinations for specific customer applications.

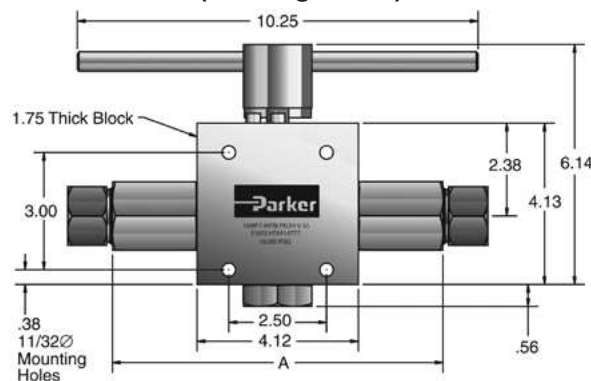
Two Way Ball Valves



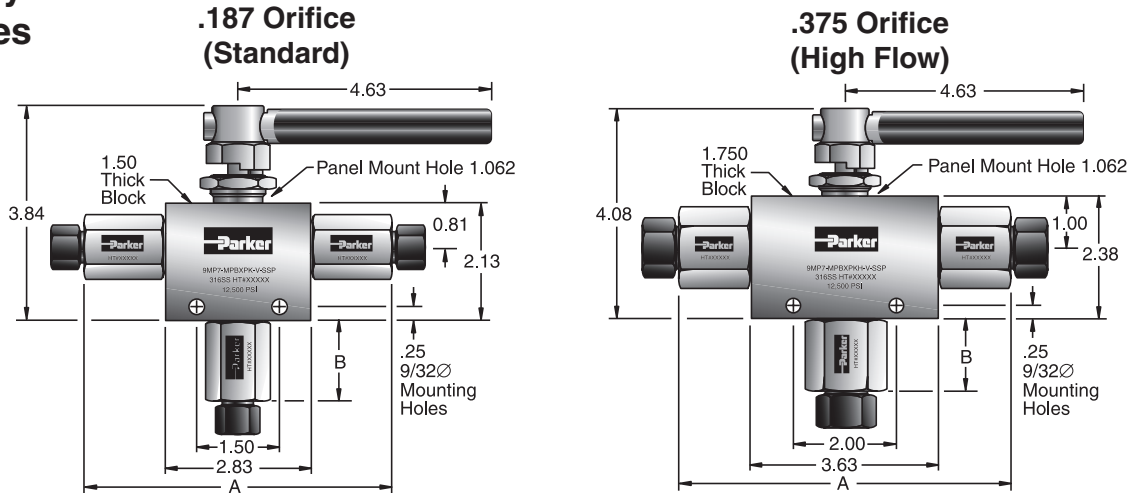
Tubing	Parker Part No.	PSI	Connection	Inches			
				Orifice	Minimum Orifice	C _v	A
Standard							
1/8" O.D.	2F-MPBLPK-V-SSP	15,000	1/8" NPT	0.187	0.187	1.45	4.63
1/4" O.D.	4F-MPBLPK-V-SSP	15,000	1/4" NPT	0.187	0.187	1.45	4.63
1/4" O.D.	4MP7-MPBLPK-V-SSP	15,000	1/4" MPI	0.187	0.125	0.45	5.00
3/8" O.D.	6F-MPBLPK-V-SSP	15,000	3/8" NPT	0.187	0.187	1.45	4.65
3/8" O.D.	6MP7-MPBLPK-V-SSP	15,000	3/8" MPI	0.187	0.187	1.45	5.00
1/2" O.D.	8MP7-MPBLPK-V-SSP	15,000	1/2" MPI	0.187	0.187	1.45	5.50
9/16" O.D.	9MP7-MPBLPK-V-SSP	15,000	9/16" MPI	0.187	0.187	1.45	5.50
High Flow (H)							
1/2" O.D.	8F-MPBLPKH-V-SSP	15,000	1/2" NPT	0.375	0.375	6.08	5.63
1/2" O.D.	8MP7-MPBLPKH-V-SSP	15,000	1/2" MPI	0.375	0.359	5.82	6.44
9/16" O.D.	9MP7-MPBLPKH-V-SSP	15,000	9/16" MPI	0.375	0.359	5.82	6.44
3/4" O.D.	12MP7-MPBLPKH-V-SSP	15,000	3/4" MPI	0.375	0.375	6.08	6.67
1" O.D.	16MP7-MPBLPKH-V-SSP	12,500	1" MPI	0.375	0.375	6.08	7.45
Ultra High Flow (UH)							
3/4" O.D.	12MP7-MPBLPKUH-V-SSP	10,000	3/4" MPI	0.500	0.469	7.60	6.86
1" O.D.	16MP7-MPBLPKUH-V-SSP	10,000	1" MPI	0.500	0.500	8.80	8.48

Dimensions in inches/millimeters are for reference only, subject to change.

.500 Orifice Two-Way (UltraHigh Flow)



Three Way Ball Valves

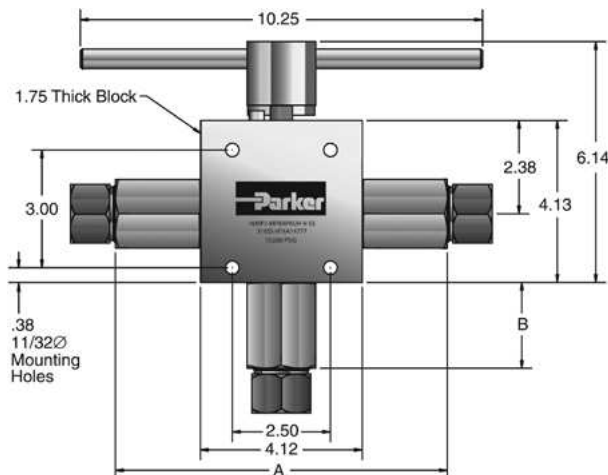


Tubing	Diverter 3-Way 90°	SSelector 3-Way 180°	PSI	Connection	Inches				
					Orifice	Minimum Orifice	C _v	A	B
Standard									
1/8" O.D.	2F-MPBXPKD-V-SSP	2F-MPBXPK-V-SSP	15,000	1/8" NPT	0.187	0.187	0.71	4.63	0.50
1/4" O.D.	4F-MPBXPKD-V-SSP	4F-MPBXPK-V-SSP	15,000	1/4" NPT	0.187	0.187	0.71	4.63	1.06
1/4" O.D.	4MP7-MPBXPKD-V-SSP	4MP7-MPBXPK-V-SSP	15,000	1/4" MPI	0.187	0.125	0.18	5.00	1.18
3/8" O.D.	6F-MPBXPKD-V-SSP	6F-MPBXPK-V-SSP	15,000	3/8" NPT	0.187	0.187	0.71	4.65	1.06
3/8" O.D.	6MP7-MPBXPKD-V-SSP	6MP7-MPBXPK-V-SSP	15,000	3/8" MPI	0.187	0.187	0.71	5.00	1.18
1/2" O.D.	8MP7-MPBXPKD-V-SSP	8MP7-MPBXPK-V-SSP	15,000	1/2" MPI	0.187	0.187	0.71	5.50	1.44
9/16" O.D.	9MP7-MPBXPKD-V-SSP	9MP7-MPBXPK-V-SSP	15,000	9/16" MPI	0.187	0.187	0.71	5.50	1.44
High Flow (H)									
1/2" O.D.	8F-MPBXPKDH-V-SSP	8F-MPBXPKH-V-SSP	15,000	1/2" NPT	0.375	0.375	2.40	5.63	1.06
1/2" O.D.	8MP7-MPBXPKDH-V-SSP	8MP7-MPBXPKH-V-SSP	15,000	1/2" MPI	0.375	0.359	2.30	6.44	1.37
9/16" O.D.	9MP7-MPBXPKDH-V-SSP	9MP7-MPBXPKH-V-SSP	15,000	9/16" MPI	0.375	0.359	2.30	6.44	1.37
3/4" O.D.	12MP7-MPBXPKDH-V-SSP	12MP7-MPBXPKH-V-SSP	15,000	3/4" MPI	0.375	0.375	2.40	6.67	1.18
1" O.D.	16MP7-MPBXPKDH-V-SSP	16MP7-MPBXPKH-V-SSP	15,000	1" MPI	0.375	0.375	2.40	7.45	1.99
Ultra High Flow (UH)									
3/4" O.D.	12MP7-MPBXPKDUH-V-SSP	12MP7-MPBXPKUH-V-SSP	10,000	3/4" MPI	0.500	0.469	3.20	6.86	1.37
1" O.D.	16MP7-MPBXPKDUH-V-SSP	16MP7-MPBXPKUH-V-SSP	10,000	1" MPI	0.500	0.500	3.80	8.48	2.18

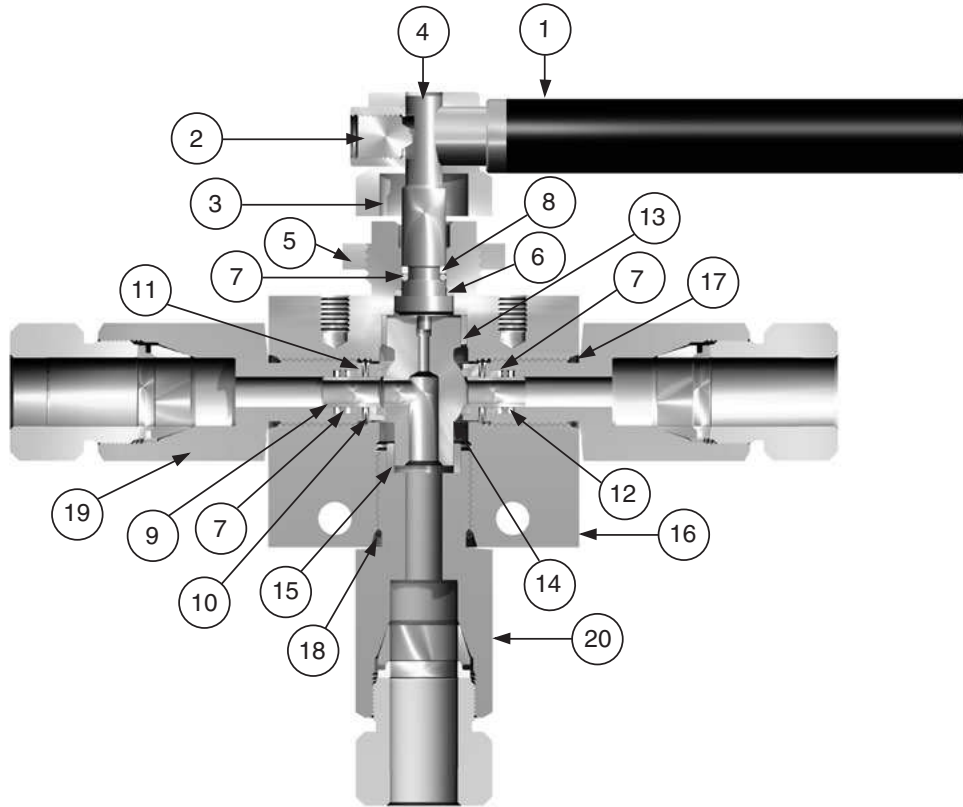
Locking Devices – Add suffix “LD” to the end of the part number.
Example: 9MP7-MPBLPKH-V-SS-LD

Dimensions in inches/millimeters are for reference only, subject to change.

.500 Orifice Three-Way



Materials of Construction



MPB

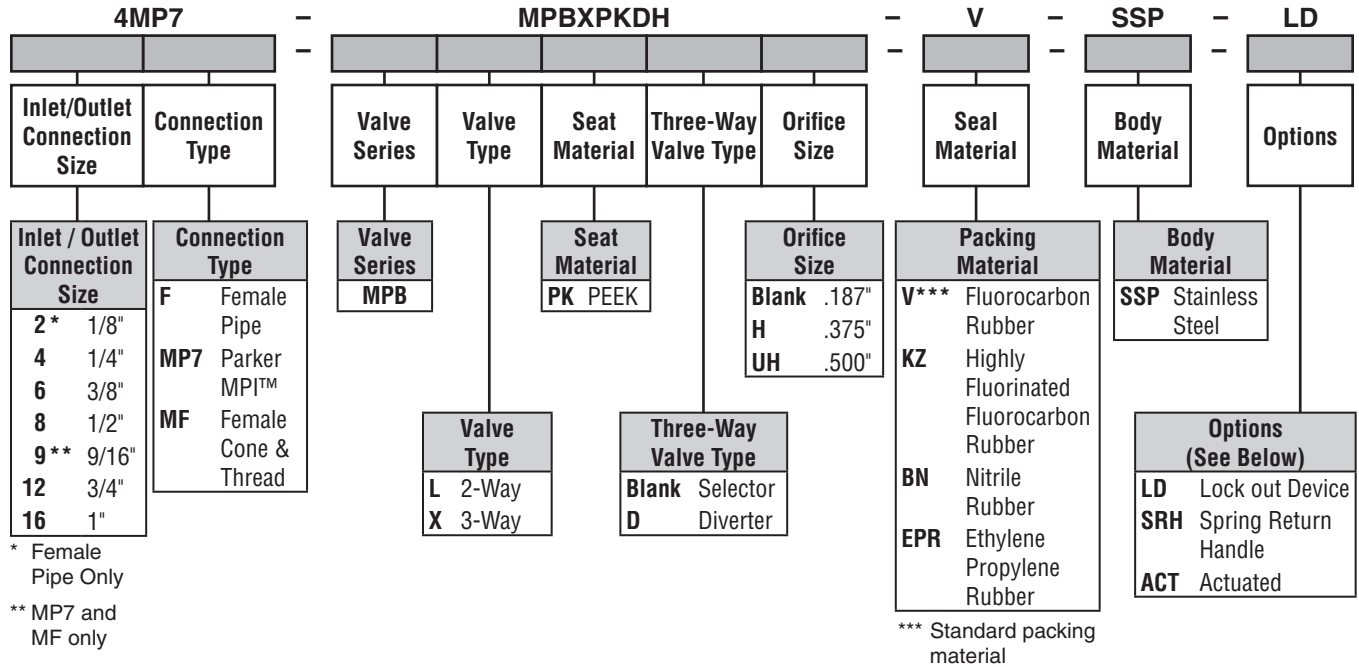
Item #	Description	Material
1	Handle	300 SER. SS
2	Set Screw	17-4PH-H900
3	Stop Collar, 180 Degree	300 SER. SS
4	Stem	17-4PH-H900
5	Panel Nut	300 SER. SS
6	Bearing Washer	Peek/30% Glass
7	O-ring	Fluorocarbon Rubber
8	Back Up Ring	PTFE
9	Ball Seat Assembly	316SS/Arlon
10	Belleville Washer	302SS
11	Packing Washer	316SS
12	Back Up Washer	PTFE
13	Body Bushing	Ampco 45
14	Trunion, 180 Degree	316SS
15	Bottom Bushing	Ampco 45
16	Body	316SS
17	O-ring	Fluorocarbon Rubber
18	O-ring	Fluorocarbon Rubber
19	Seat Gland	316SS
20	Bottom Gland	316SS

How to Order MPB Series Valves

The correct part number is easily derived from the following example and ordering chart. The nine product characteristics required are coded as shown in the chart.

The following example describes an MPB Series, three-way diverter ball valve with a .375" orifice, fluorocarbon rubber seals, 1/4" MPI medium pressure inverted connections on all ports and the optional lock out device.

Example:



MPB

How to Order Options

Lock Out Devices – add the suffix **-LD** to the end of the part number to order factory mounted on the valve.

Actuated – Contact factory for options.



Hanley Controls Clonmel Ltd
Gortnafleur, Clonmel, Co. Tipperary
Tel:+353 (0)52 6122722
e-mail: info@hccl.ie
web: www. hccl.ie

