



Metering Valves

Catalog 4170-MV

December 2010

aerospace
climate control
electromechanical
filtration
fluid & gas handling
hydraulics
pneumatics
process control
sealing & shielding

Introduction

The Parker NM and NL Series of metering valves provide higher flow rates than the NS Series of metering valves and retain most of the features found in the NS Series.

Features

- ▶ Precisely tapered valve stem accurately controls flow
- ▶ Brass or 316 SS forged body construction
- ▶ Panel or in-line mounting
- ▶ Angle or in-line patterns
- ▶ Valve stem threads not in contact with process fluid
- ▶ 100% function tested
- ▶ Optional stem seals and handles

Specifications

Pressure Rating at all temperatures:
 1000 psig (69 bar) CWP

NM Specifications

Flow Data:
 Orifice: 0.06" (1.5mm)
 In-line pattern: $C_v = 0.055$; $X_T = 0.41$
 Angle pattern: $C_v = 0.057$; $X_T = 0.38$

Stem Taper: 3°
Turns to open: 9 +/- 1

NL Specifications

Flow Data:
 Orifice: 0.13" (3.3mm)
 In-line pattern: $C_v = 0.207$; $X_T = 0.71$
 Angle pattern: $C_v = 0.299$; $X_T = 0.60$

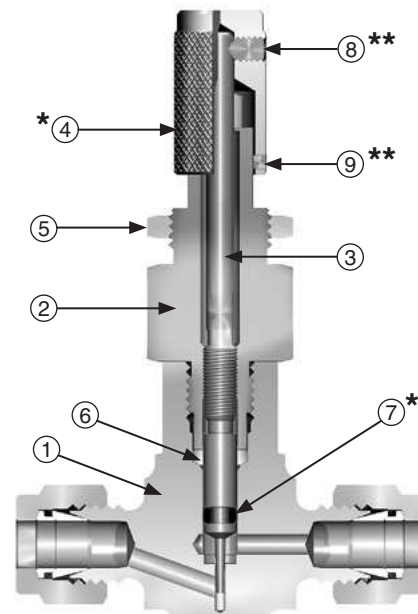
Stem Taper: 5°
Turns to open: 10 +/- 1

Valve / Seal Temperature Ratings

Nitrile Rubber: -10°F to 250°F (-23°C to 121°C)
Ethylene Propylene Rubber:
 -40°F to 250°F (-40°C to 121°C)
Neoprene Rubber: -40°F to 250°F (-40°C to 121°C)
Fluorocarbon Rubber:
 -10°F to 400°F (-23°C to 204°C)
Highly Fluorinated Fluorocarbon Rubber:
 -25°F to 200°F (-32°C to 93°C)

Item #	Description	Stainless Steel	Brass
1	Body	ASTM A 182 Type F316	ASTM B 283 Alloy C37700 (Nickel Plated)
2	Bonnet	ASTM A 479 Type 316	ASTM B 16 Alloy C36000 (Nickel Plated)
3	Stem	ASTM A 276 Type 316	ASTM A 276 Type 316
4	Handle*	Stainless Steel	Stainless Steel
5	Panel Nut	ASTM B 16 (Nickel Plated)	ASTM B 16 (Nickel Plated)
6	Sealing Ring*	PTFE	PTFE
7	Stem Seals*	Fluorocarbon Rubber	Fluorocarbon Rubber
8	Handle Set Screw**	Stainless Steel	Stainless Steel
9	Handle Lock Screw**	Stainless Steel	Stainless Steel

* Optional Handles, Sealing Ring and Stem Seal materials are available. See How to Order.
 ** K and KS Handles use 18-8 stainless steel screws. V Handles use alloy steel screws. Lock Screws are not used on F and V Handles. Lubrication: Perfluorinated polyether.



Model Shown: 4A-NML-KZ-SS-K

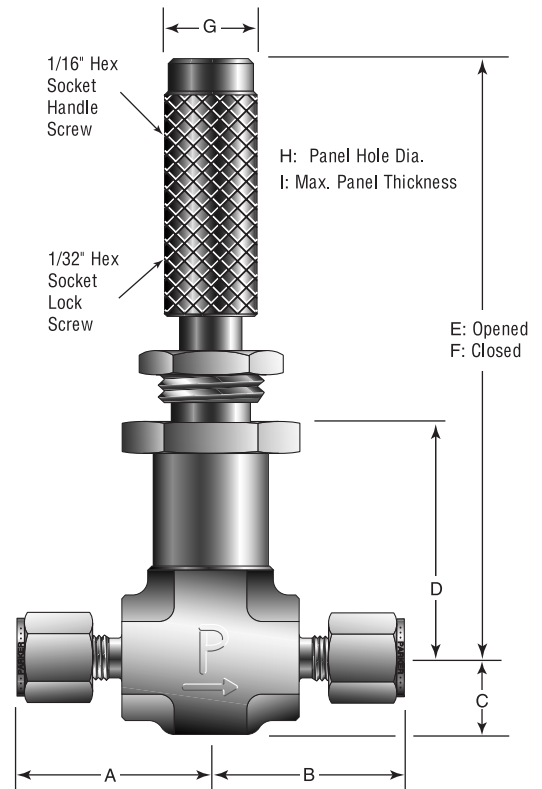
Note: These products are not intended for use as shut-off valves. For metering valves with shut-off capabilities, please refer to page 8 of this catalog.

Flow tested in accordance with ISA S75.02. Gas flow will be choked when $P_1 - P_2 / P_1 = X_T$.

NM Dimensions

Basic Part Number	End Connections		Dimensions							
	(Inlet) Port 1	(Outlet) Port 2	A*		B*		C		D	
			inch	mm	inch	mm	inch	mm	inch	mm
2A-NML	1/8" Compression A-LOK®		1.03	26.2	1.03	26.2	0.41	10.4	1.56	39.6
2A-NMA			1.03	26.2	1.03	26.2	0.41	10.4	1.07	27.2
2F-NML	1/8" Female NPT		0.93	23.6	0.93	23.6	0.41	10.4	1.56	39.6
2F-NMA			0.93	23.6	0.93	23.6	0.41	10.4	1.07	27.2
2Z-NML	1/8" Compression CPI™		1.03	26.2	1.03	26.2	0.41	10.4	1.56	39.6
2Z-NMA			1.03	26.2	1.03	26.2	0.41	10.4	1.07	27.2
4A-NML	1/4" Compression A-LOK®		1.11	28.2	1.11	28.2	0.41	10.4	1.56	39.6
4A-NMA			1.11	28.2	1.11	28.2	0.41	10.4	1.07	27.2
4M-NML	1/4" Male NPT		0.93	23.6	0.93	23.6	0.41	10.4	1.56	39.6
4M-NMA			0.93	23.6	0.93	23.6	0.41	10.4	1.07	37.2
4V-NML	1/4" VacuSeal		1.03	26.2	1.03	26.2	0.53	13.5	1.56	39.6
4Z-NML	1/4" Compression CPI™		1.11	28.2	1.11	28.2	0.41	10.4	1.56	39.6
4Z-NMA			1.11	28.2	1.11	28.2	0.41	10.4	1.07	27.2
M3A-NML	3mm Compression A-LOK®		1.00	25.4	1.00	25.4	0.41	10.4	1.56	39.6
M3A-NMA			1.00	25.4	1.00	25.4	0.41	10.4	1.07	27.2
M3Z-NML	3mm Compression CPI™		1.00	25.4	1.00	25.4	0.41	10.4	1.56	39.6
M3Z-NMA			1.00	25.4	1.00	25.4	0.41	10.4	1.07	27.2
M6A-NML	6mm Compression A-LOK®		1.09	27.7	1.09	27.7	0.41	10.4	1.56	39.6
M6A-NMA			1.09	27.7	1.09	27.7	0.41	10.4	1.07	27.2
M6Z-NML	6mm Compression CPI™		1.09	27.7	1.09	27.7	0.41	10.4	1.56	39.6
M6Z-NMA			1.09	27.7	1.09	27.7	0.41	10.4	1.07	27.2

* For CPI™ and A-LOK®, dimensions are measured with nuts in the finger tight position. Dimensions in inches/millimeters are for reference only, subject to change.



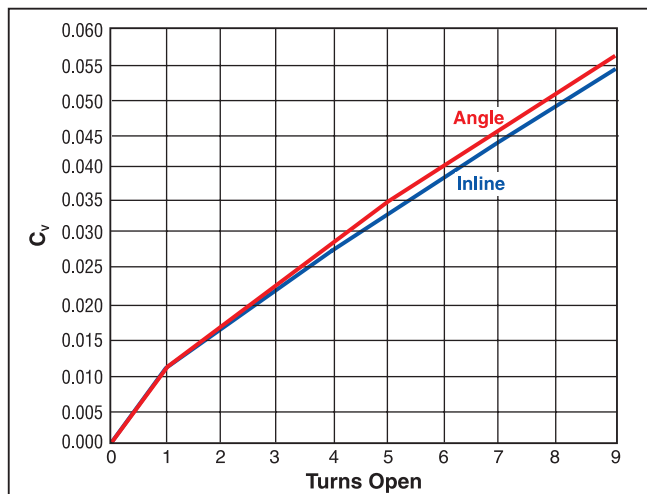
Model Shown: 2A-NML-V-SS-K

Handle Dimensions

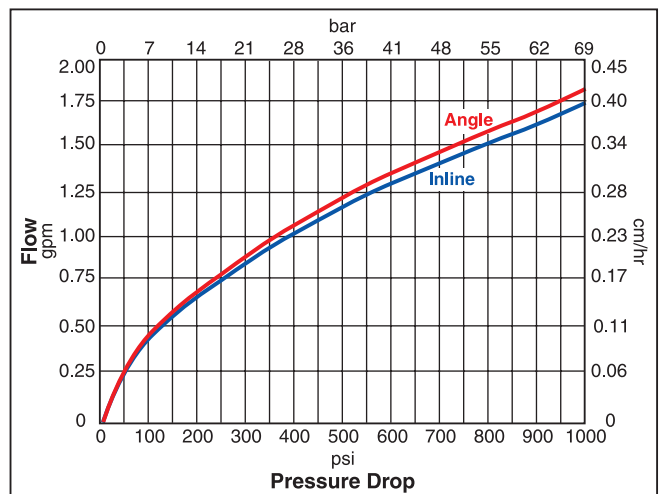
	On In-Line Pattern Valves				On Angle Pattern Valves			
	K & KS		V		K & KS		V	
	inch	mm	inch	mm	inch	mm	inch	mm
E	3.22	81.8	3.63	92.2	2.82	71.6	3.23	82.0
F	2.99	75.9	3.40	86.4	2.59	65.8	3.00	76.2
G	0.50	12.7	0.84	21.3	0.50	12.7	0.84	21.3
H	0.58	14.7	0.58	14.7	0.58	14.7	0.58	14.7
I	0.19	4.8	0.19	4.8	0.27	6.9	0.27	6.9

Dimensions in inches/millimeters are for reference only, subject to change.

NM Series – C_v vs. Turns Open



NM Series – Water Flow Data

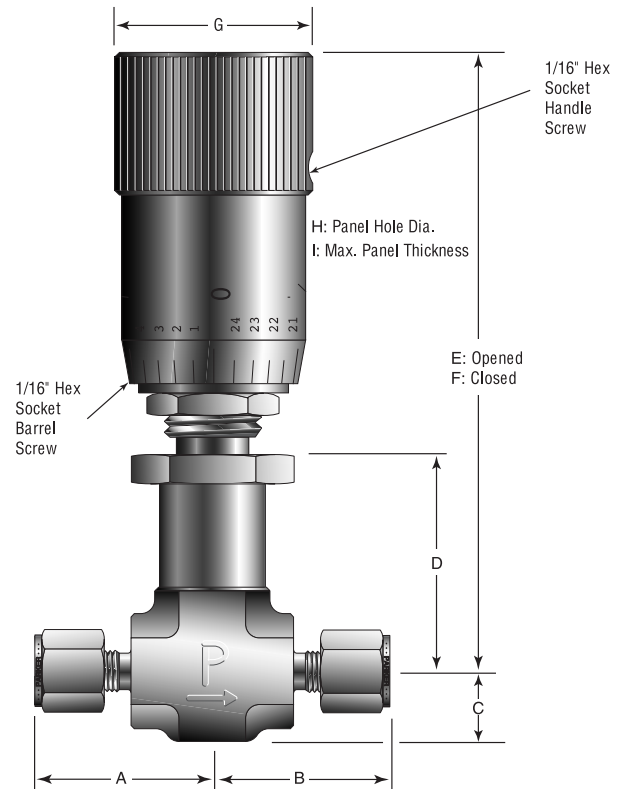


NL Dimensions

Dimensions in inches/millimeters are for reference only, subject to change.

Basic Part Number	End Connections		Dimensions							
	(Inlet Port 1)	(Outlet Port 2)	A*		B*		C		D	
			inch	mm	inch	mm	inch	mm	inch	mm
2F-NLL	1/8" Female NPT		0.93	23.6	0.93	23.6	0.41	10.4	1.56	39.6
2F-NLA			0.93	23.6	0.93	23.6	0.41	10.4	1.07	27.2
4A-NLL	1/4" Compression A-LOK®		1.16	29.5	1.16	29.5	0.41	10.4	1.56	39.6
4A-NLA			1.16	29.5	1.16	29.5	0.41	10.4	1.07	27.2
4M-NLL	1/4" Male NPT		0.93	23.6	0.93	23.6	0.41	10.4	1.56	39.6
4M-NLA			0.93	23.6	0.93	23.6	0.41	10.4	1.07	37.2
4V-NLL	1/4" VacuSeal		1.03	26.2	1.03	26.2	0.53	13.5	1.56	39.6
4Z-NLL	1/4" Compression CPI™		1.16	29.5	1.16	29.5	0.41	10.4	1.56	39.6
4Z-NLA			1.16	29.5	1.16	29.5	0.41	10.4	1.07	27.2
6A-NLL	3/8" Compression A-LOK®		1.24	31.5	1.24	31.5	0.41	10.4	1.56	39.6
6Z-NLL	3/8" Compression CPI™		1.24	31.5	1.24	31.5	0.41	10.4	1.07	27.2
M6A-NLL	6mm Compression A-LOK®		1.12	28.4	1.12	28.4	0.41	10.4	1.56	39.6
M6A-NLA			1.15	29.2	1.15	29.2	0.41	10.4	1.07	27.2
M6Z-NLL	6mm Compression CPI™		1.12	28.4	1.12	28.4	0.41	10.4	1.56	39.6
M6Z-NLA			1.15	29.2	1.15	29.2	0.41	10.4	1.07	27.2

* For CPI™ and A-LOK®, dimensions are measured with nuts in the finger tight position.



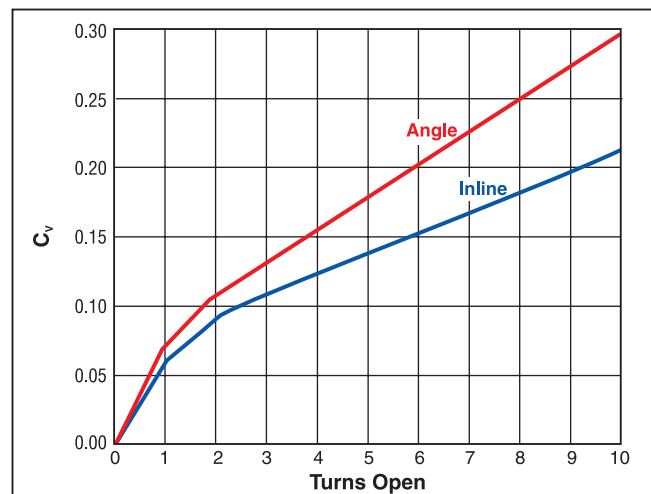
Model Shown: 4A-NLL-V-SS-V

Handle Dimensions

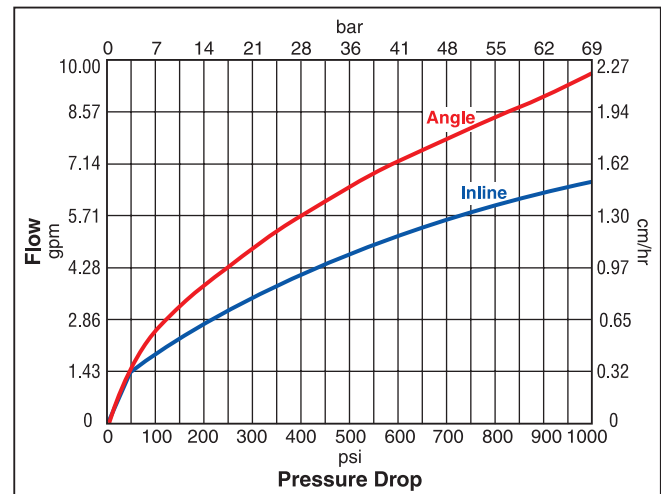
	On In-Line Pattern Valves				On Angle Pattern Valves			
	K & KS		V		K & KS		V	
	inch	mm	inch	mm	inch	mm	inch	mm
E	2.92	74.2	3.33	84.6	2.83	71.9	3.24	82.3
F	2.67	67.8	3.08	78.2	2.58	65.8	2.99	75.9
G	0.50	12.7	0.84	21.3	0.50	12.7	0.84	21.3
H	0.58	14.7	0.58	14.7	0.58	14.7	0.58	14.7
I	0.19	4.8	0.19	4.8	0.27	6.9	0.27	6.9

Dimensions in inches/millimeters are for reference only, subject to change.

NL Series – C_v vs. Turns Open



NL Series – Water Flow Data





How to Order

Dimensions in inches/millimeters are for reference only, subject to change.

The correct part number is easily derived from the following example and ordering chart. The six product characteristics required are coded as shown in the chart.

The example below describes a stainless steel in-line NLL series valve with 1/4" CPI compression ends, fluorocarbon seals and vernier handles.

Example: 4Z-NLL-V-SS-V

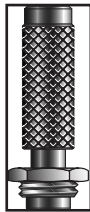
4Z		-	NLL	-	V	-	SS	-	V
Inlet Port*	Outlet Port*		Valve Series		Seal Material		Body Material		Handle Type
Inlet Port	Outlet Port	Valve Series	Seal Material		Body Material		Handle Type		
1A, 1Z, 2A, 2M, 2Z, 4A, 4V, 4Z, M3A, M3Z, M6A, M6Z		NSA NSL	BN	Nitrile	B	Brass	K	Knurled	
			EPR	Ethylene Propylene Rubber	SS	Stainless Steel	KS	Knurled with Slot	
2A, 2F, 2Z, 4A, 4M, 4V, 4Z, M3A, M3Z, M6A, M6Z		NMA NML	NE	Neoprene Rubber			V	Vernier	
			V	Fluorocarbon Rubber			F**	Precision Adjustment	
2F, 4A, 4M, 4V, 4Z, 6A, 6Z, M6A, M6Z		NLA NLL	KZ	Highly Fluorinated Fluorocarbon Rubber					

* If the inlet and outlet ports are the same, eliminate the outlet port designator.

** F handle available only on NS Series.

Optional Handles

Knurled (K) and Knurled with Slot (KS)



- Knurled K handle for ease of actuation
- Knurled with Slot (KS) adds a screw-driver slot across the top for locations where handle access is difficult

Vernier (V)



- Precision graduated aluminum alloy permits repeatable flow settings
- Resolution to 1/25th turn

Precision Adjustment (F)



- Adjustable torque handle for precise positioning
- Knurled metal with two top mounted adjustment screws
- NS Series only

How to Order Options

Oxygen Cleaning — Add the suffix **-C3** to the end of the part number to receive valves cleaned and assembled for oxygen service in accordance with Parker Specification ES8003. Example: 4A-NMA-EPR-SS-V-C3.



Hanley Controls Clonmel Ltd
 Gortnafeur, Clonmel, Co. Tipperary
 Tel: +353 (0)52 6122722
 e-mail: info@hccl.ie
 web: www.hccl.ie

