

# APPLICATION DATA SHEET

## OLIVER IGD

Control Systems

Transmitters

Sensors

Accessories



## PGF-30

### Effective Gas Safety Proving and Gas Detection Controller

#### Gas Pressure Proving

For use with Natural Gas LPG - or Laboratory gas supplies, both high and low pressure ensuring system integrity prior to running.

#### Continuously Monitor For Gas Leakage Using State of the art LPG or Methane Gas detectors.

Use gas leakage detectors to continuously monitor for gas leakage within the area.

#### Control Mechanical Ventilation Rates Based on Room CO2 Levels.

Control the area ventilation rate to minimise energy usage and ensure an optimum working environment.

#### Interlock Mechanical Ventilation with the Gas Supply Valve

Ensure fume hood - cabinet extract fans are running before the gas supply is enabled.

### Standard Specifications

|              |  |
|--------------|--|
| Power        | 110/230V AC 50/60Hz 25W Standard<br>24V DC Option  |
| Construction | ABS  |
| Display      | 2 Lines x 8 Digit LCD Display<br>Multi-Colour Backlight (Red-Alarm, Yellow-Fault, Blue-Normal)                   |
| User         | IGD Jog Wheel Option Select  |
| Outputs      | 3 off SPCO Relays 4A Non-Inductive User Configurable<br>1 off 4-20mA Linear Output User Configurable             |
| Other I/O    | Sounder 80dB @ 100mm (Mutable)<br>RS485 Port Modbus<br>Dedicated E-Stop Input<br>Dedicated Fire System Interlock |
| Inputs       | Up to 32 off Addressable Series Detectors or I/O Modules<br><i>Note external Booster PSU may be required</i>     |
| Temperature  | -5 to 55 Deg C   |
| Humidity     | 0-95% RH Non-Condensing  |
| Sealing      | IP54   |
| Mounting     | Wall Mount, Panel Mount Kit Option, Duct Mount Kit Option  |
| Weight       | 840g   |

### Features

- Flexible Power Supply Options
- Wall or Panel Mounting
- Relay Outputs as Standard
- 4-20mA Output as Standard
- RS485 Modbus as Standard
- Control up to 32 Devices as Gas Detectors or I/O Modules
- LCD Display With Multi Colour Backlight, Flashes Red on Alarm, Flashes Yellow on Fault etc
- E-Stop Input (System Configurable)
- Dedicated Interlock to Fire Systems (System Configurable)
- Battery Backup Option

# APPLICATION DATA SHEET



Control Systems

Transmitters

Sensors

Accessories

## EC Declaration of Conformity



Issuers name and address:

Oliver IGD Limited of  
4a Pepper Rd  
Stockport, SK7 5BW  
United Kingdom

Declares that the product listed as:

**PGF-30**

Gas Proving and Gas Detection Control Panel

Are in conformity with the provisions of the following European Directive(s) when installed, operated, serviced and maintained in accordance with the installation and operating instructions contained in the product documentation.

**2004/108/EC**      **EMC Directive**  
**2006/95/EC**      **Low Voltage Equipment Directive** *(note not applicable to 24V DC Powered Versions)*

And that the standards and/or technical specifications referenced below have been applied or considered.

EN 61779-1:2000      Electrical apparatus for the detection and measurement of flammable gases, general requirements and test methods.

EN 50271:2001      Electrical apparatus for the detection and measurement of combustible gases, toxic gases or Oxygen: requirements and tests for apparatus using software and or digital technologies. *Excluding requirements for SIL*

EN 61000-6-2:2005  
EN 61000-6-4:2007  
EN 61000-3-2 A2 2009  
EN 61000-3-3 2008

Technical File Reference      PGF30-TF9

Notified Body For ATEX  
and/or QAN:

Sira Test & Certification Ltd  
Hazardous Area Centre,  
Rake Lane  
Ecclestone,  
Chester,  
CH4 9JN.  
United Kingdom

Oliver IGD Limited operate an  
independently assessed ISO9001:2008  
Quality Assurance System and ATEX QAN.

Quality Assurance Certificate Number

**023827**

Quality Assurance Notification Number

**SIRA 02ATEX M174**

Testing Agency:

TUV - SUD  
Octagon House  
Concorde Way  
PO 15 5RL Fareham



Issued on:      At Oliver IGD Limited, Stockport, SK7 5BW , United Kingdom

Signature:            Declaration of Conformity in accordance with EN ISO/IEC 17050-1:2004

Name      Andrew J Collier M.I.O.D

Position:      Managing Director      Date:      5.October 2013      Declaration Ref: PGF30-DEC-1



Ref PGF30 A  
Tel: +44 (0)161 483 1415  
Fax: +44 (0) 161 484 2345  
Email: sales@internationalgasdetectors.com  
Website: www.internationalgasdetectors.com



# APPLICATION DATA SHEET



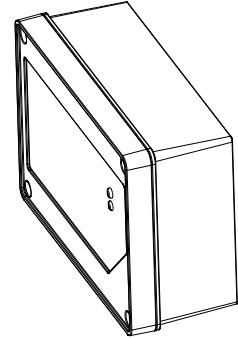
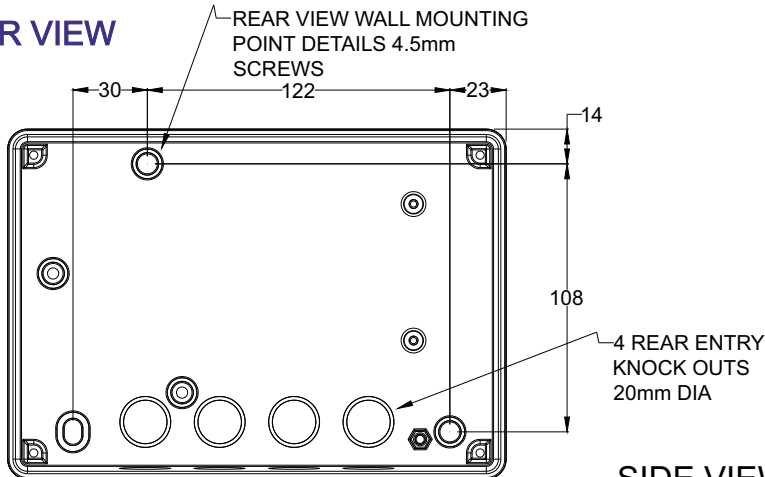
Control Systems

Transmitters

Sensors

Accessories

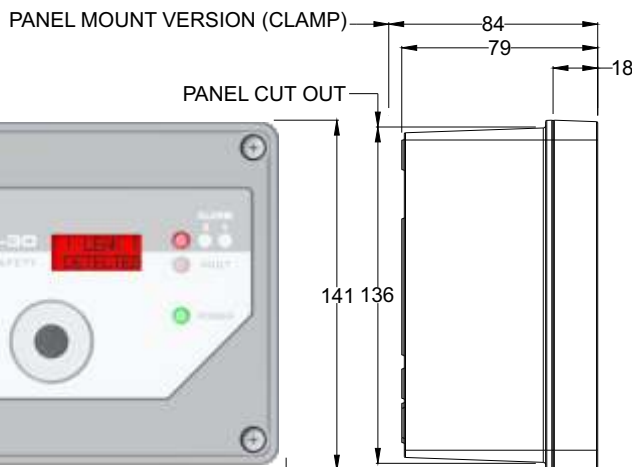
## REAR VIEW



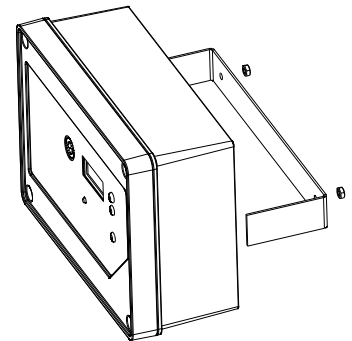
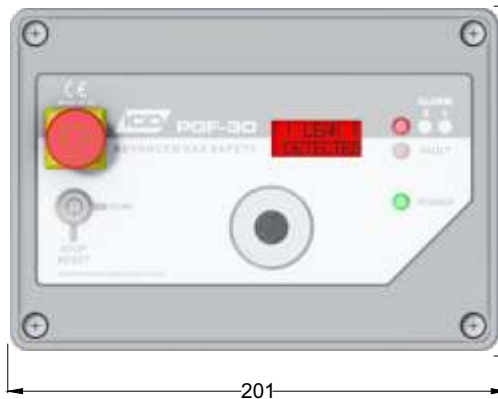
Optional Battery Backup Kit  
PN 5686601

Note this module uses the same style enclosure as the PGF-30 and houses batteries and charge control. It is usually mounted below the PGF-30 and is supplied with all required connectors.

## SIDE VIEW

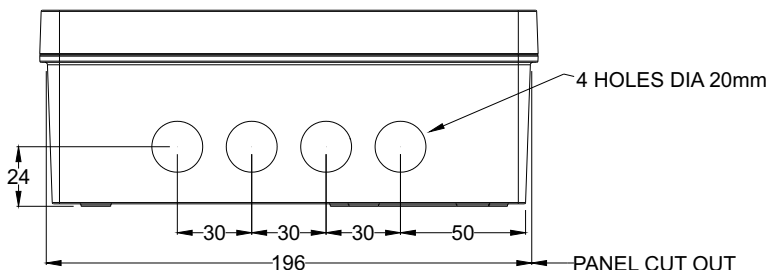


## FRONT VIEW



Optional Panel Mounting Kit  
PN 5686401

## BOTTOM VIEW



## Sensor Options

- Gas Pressure
- Air Pressure
- Air Flow
- Flammable Gases
- Toxic Gases
- Temperature
- Humidity
- Motor Current



Ref PGF30 A



**OLIVER IGD**  
Pepper Road  
Bramhall Technology Park  
Stockport  
SK7 5BW  
England

Tel: +44 (0)161 483 1415  
Fax: +44 (0) 161 484 2345  
Email: [sales@internationalgasdetectors.com](mailto:sales@internationalgasdetectors.com)  
Website: [www.internationalgasdetectors.com](http://www.internationalgasdetectors.com)



# APPLICATION DATA SHEET



Control Systems

Transmitters

Sensors

Accessories

## 1 Intelligent Systems Enhanced Safety For Operators 1

IGD Gas Proving Controllers Can be Interlocked to Prevent Gas Supply If Ventilation is not Running or Not Running at a Sufficient Level



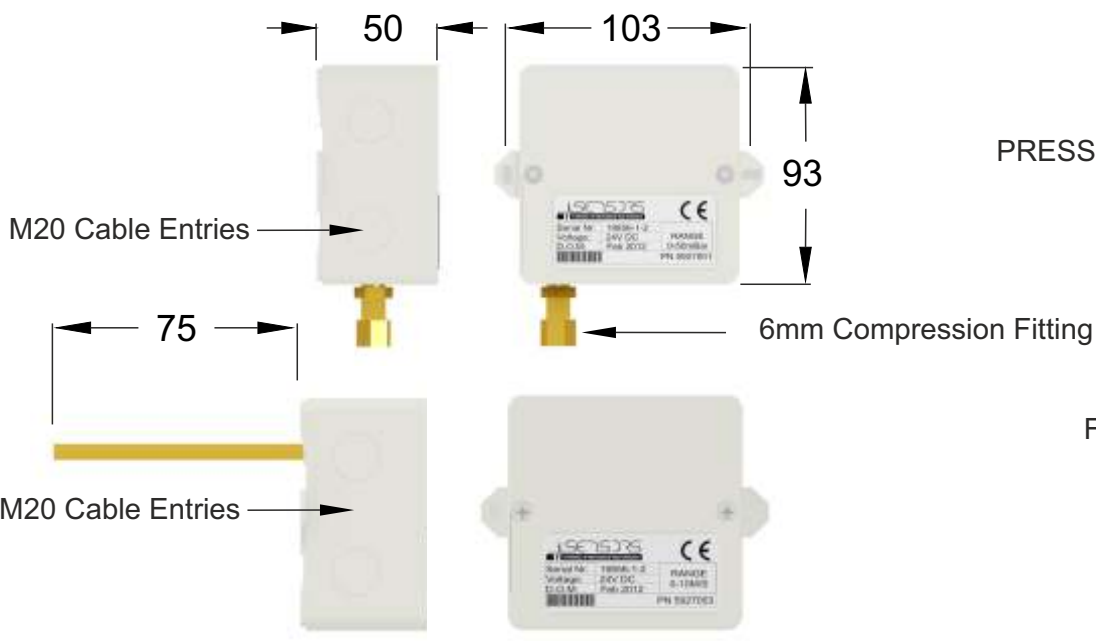
### ORDER CODES

|                               |            |
|-------------------------------|------------|
| PGF-30 Controller 110/230V AC | PGF-30-230 |
| PGF-30 Controller 24V DC      | PGF-30-24  |
| Controller Panel Mount Kit    | 5686401    |
| Battery Backup Module         | 5686601    |

For Gas Detection and Annunciator options refer to TOC-30 and TOC-20 Series Gas Detectors

## 2 Direct Airflow Measurement 2

## 3 Direct Pressure Measurement 3



PRESSURE TRANSDUCER  
PN: 5928701  
Range 0-50mBar  
Analogue O/P

FLOW TRANSDUCER  
PN: 5927501  
Range 0.5 -10M/S  
Analogue O/P  
Relay O/P  
24V DC



**OLIVER IGD**  
Pepper Road  
Bramhall Technology Park  
Stockport  
SK7 5BW  
England

Ref PGF30 A

Tel: +44 (0)161 483 1415  
Fax: +44 (0) 161 484 2345  
Email: sales@internationalgasdetectors.com  
Website: www.internationalgasdetectors.com



CERTIFICATE NO 023827

# APPLICATION DATA SHEET



Control Systems

Transmitters

Sensors

Accessories



TOC-30-AN3

Refer to TOC-30 Annunciator Data Sheer

To compliment the PGF-30 TOC Series Gas Detectors provide accurate measurement of the background atmosphere to measure for a specific hazardous target gas. Clean lines and easy integration into existing or newly planned control systems make the TOC Series the safety engineers device of choice. Using the latest microprocessor addressable technology and software TOC Series detectors are a reliable long term monitoring solution.

TOC Series Detectors are supplied pre-calibrated ready to use and directly connect to PGF-30.



TOC-30A-PHC With Gas Collector Fitted

## Order Codes TOC-30A Series Detectors

| Gas                             | Standard Range | Order Code  | Typical Cell Life |
|---------------------------------|----------------|-------------|-------------------|
| Flammable Gases external sensor | 0-100% LEL     | TOC-31A-PHC | >3 Years          |
| Flammable Gases internal sensor | 0-100% LEL     | TOC-30A-PHC | >3 Years          |
| Carbon Monoxide                 | 0-100ppm       | TOC-30A-CO  | >5 Years          |
| Oxygen                          | 0-30% Vol      | TOC-30A-O2  | >5 Years          |
| Nitric Oxide                    | 0-200ppm       | TOC-30A-NO  | >2 Years          |
| Nitrogen Dioxide                | 0-20ppm        | TOC-30A-NO2 | >2 Years          |
| Ammonia                         | 0-100ppm       | TOC-30A-NH3 | >2 Years          |
| Chlorine                        | 0-20ppm        | TOC-30A-CL2 | >2 Years          |



TOC-31A-PHC

## Order Codes TOC-20 Series Detectors

| Gas            | Standard Range | Order Code  | Typical Cell Life |
|----------------|----------------|-------------|-------------------|
| Carbon Dioxide | 0-5000ppm      | TOC-20A-CO2 | >3 Years          |

## Order Codes Accessories

|                                     |               |
|-------------------------------------|---------------|
| Gas Collector Cone For TOC-30A-PHC  | Code 50006701 |
| Calibration Adaptor TOC-31-PHC      | Code 401101E  |
| Calibration Adaptor TOC20/30 Series | Code 5925701  |



TOC-30A-PHC



**OLIVER IGD**  
 Pepper Road  
 Bramhall Technology Park  
 Stockport  
 SK7 5BW  
 England

Ref PGF30 A

Tel: +44 (0)161 483 1415  
 Fax: +44 (0) 161 484 2345  
 Email: sales@internationalgasdetectors.com  
 Website: www.internationalgasdetectors.com

