

Extended-Duty Solenoid Pilot Valve Pak



Proven & Reliable Process Control

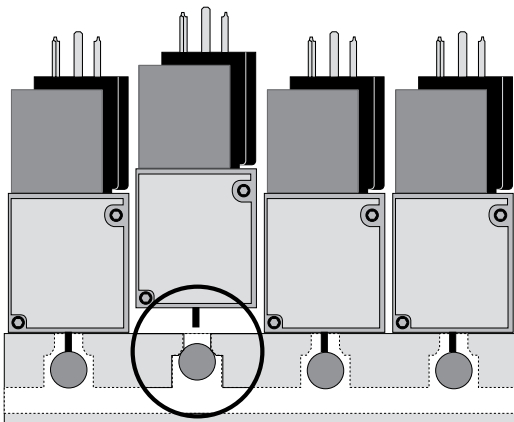
Process Industry:

ROSS solenoid pilot valves provide reliable pilot control for various process valves: butterfly, knife gate, ball, mixing, diverters and other pneumatically actuated devices. With over 85 years of experience, ROSS' proven poppet valves deliver unsurpassed reliability in all sectors of the Process Industry:

- Power Generation
- Food & Beverage
- Petro-Chem
- Waste Water Treatment
- Aggregates
- Oil & Gas
- Pulp & Paper
- Pharmaceutical
- Household & Consumer Goods

Features:

- Individual Valve Shut-off (automatic): increases uptime for continuous processing (see below)
- Sure-Shifting and Self-Cleaning: reliable performance in extreme conditions (dirt tolerant, high humidity, cold, heat, dust, debris returned from the field actuator, etc...)
- Easily Accessible Manual Override (Yellow): turn to actuate, no tools needed
- Positive Sealing and Self-Compensating for Wear: perpendicular poppet face seals
- Quick Electrical Disconnect w/Indicator Light: allows immediate troubleshooting of component/system issues in the field.
- Consistent Actuation over the Life of the Valve: strong shifting forces
- Field Convertible: 5/2 and 3/2 function (for dual or spring return actuators)
- Explosion Proof & Intrinsically Safe - options available, consult ROSS



Individual Valve Shut-off (automatic):

Individual valves can be removed without shutting off main air supply to the whole manifold or entire solenoid cabinet.

- Simply remove the valve and an internal check-ball automatically blocks inlet air to that station.
- Inlet air is automatically restored to the station when the valve is returned.

STANDARD SPECIFICATIONS:

Solenoids: Rated for continuous duty.

Standard Voltages:

110 volts 50/60 Hz; 24 volts DC, other voltages available.

Power Consumption:

3.9 VA holding on 50/60 Hz; 2.1 watts on DC.

Ambient Temperature: 39° to 122°F (4° to 50°C).

Media Temperature: 39° to 175°F (4° to 80°C).

Indicator Light: In connector.

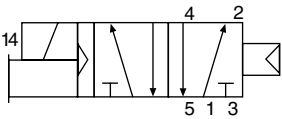
Flow Media: Filtered air. 5 micron recommended.

Inlet Pressure: 30 to 150 psig (2 to 10 bar).

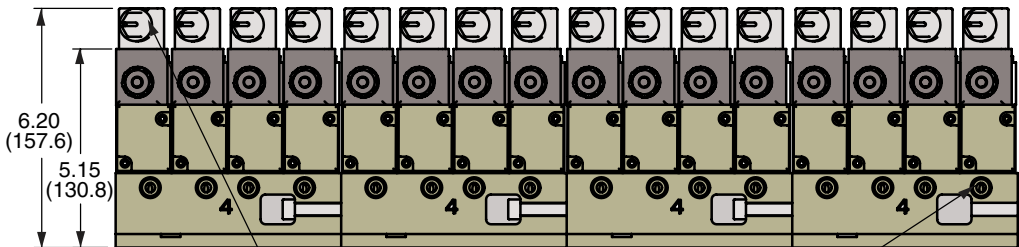
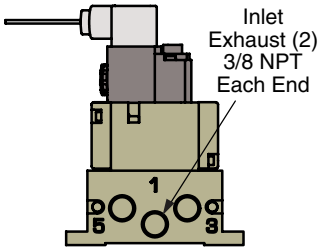
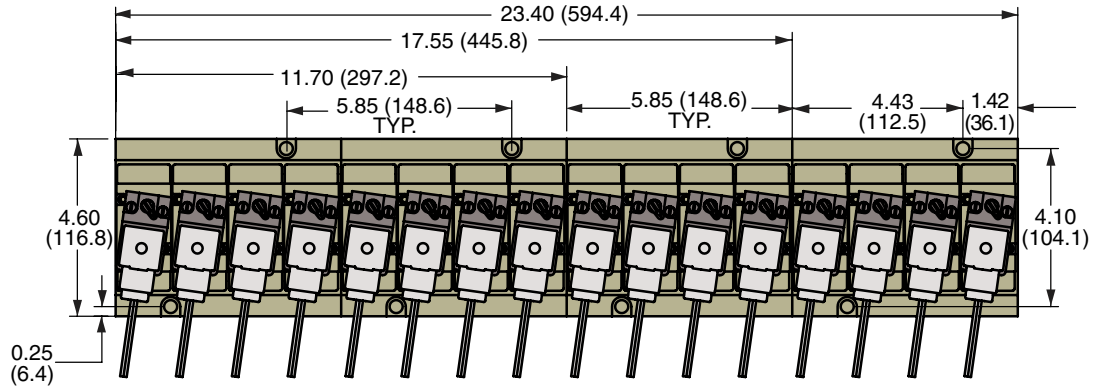
Flow: C_v = 0.5

Certification: by CSA according to UL 429 and CSA 22.2-139.

Valve/Manifold Assembly	Standard Model Number
4 Station	3900A1052-1
8 Station	3900A1052-2
12 Station	3900A1052-3
16 Station	3900A1052-4
20 Station and over	consult ROSS
Brass Swivel Fitting 1/4 NPT, 1/4 Tube	270A27
Electrical Connector w/10' leads	2301K77
Replacement Valve	7476B1901



Single Solenoid



Single Connector Kit 2301K77 (not included)

Port 4, 1/4 NPT (Port 2 on the other side)

Other ROSS Products for the Process Industry



NAMUR Interface
Wash Down Service



FRL
Air Line Preparation



CAT 3 & 4 Control Reliable
DM² Series E

LOTO
Safety Devices



L-O-X®
Valves



ROSS CONTROLS®
U.S.A.

Customer Svs. 1-800-GET-ROSS
Technical Svs. 1-888-TEK-ROSS
www.rosscontrols.com

Consider it **DONE!**

WARRANTY and CAUTIONS
Standard ROSS warranty and cautions apply, available upon request or at www.rosscontrols.com

ROSS EUROPA GmbH
Germany
Fax: 49-6103-74694
info@rosseuropa.com

ROSS ASIA® K.K.
Japan
Fax: 81-427-78-7256
custsvc@rossasia.co.jp

ROSS UK Ltd.
United Kingdom
Fax: 44-121-559-5309
sales@rossuk.co.uk

ROSS CONTROLS® INDIA Pvt. Ltd.
India
Fax: 91-44-2625-8730
rossindia@airtelbroadband.in

ROSS SOUTH AMERICA Ltda.
Brazil
Fax: 55-11-4335-3888
vendas@ross-sulamerica.com.br

DIMAFLUID s.a.s.
France
Fax: 33-01-4945-6530
dimafluid@dimafluid.com

ROSS CONTROLS(CHINA) Ltd.
China
Fax: 86-21-6915-7960
alvinzhurong@vip.163.com