

Models- 1061/S, 1062/S, 1063/S, 1064/S. Stainless Steel Case

Case

AISI 304 Stainless Steel
Bezel Stainless Steel (Bayonet type).
Weatherproof Construction

Socket + Element

AISI 316 Stainless Steel / Brass

Thread

1/8", 1/4", 3/8", 1/2" NPT, BSP, BSPT

Movement

Brass

Dial

White Aluminium (Black Printing)

Pointer

Black Aluminium

Window

Sheet Glass

Standard Size

63, 100, 150mm (2.1/2", 4", 6")

Accuracy class

1.25%

Scale Range

25 mbar - 400 mbar (5.8 psi)

Ordering information

State:- Pressure gauge model
/ Nominal size / Scale range
/ Size and location of connection
/ Optional extras reqd.

Optional extras

AISI 316 Stainless steel case.
White plastic dial (Black Printing).
Slot adjustable pointer / Black Finish.
Monel to Nace MR-01-75 wetted parts.
Laminated safety glass / Perspex window.
Customer logo.

Further options: on request



Model - 1062/S

Standard gauges can be supplied up to 300mm dial size with Aluminium or Mild Steel Cases (stove enamel finish), Brass Bezel (lacquered finish).

We manufacture a wide range of instruments to customer's special requirements
We shall be pleased to discuss and advise on your specifications.

Specifications and dimensions given in this leaflet represent the state of engineering at the time of printing.
Engineering modifications may take place without prior notice.



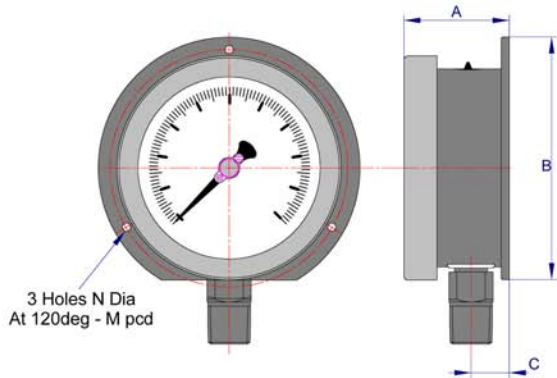
HANLEY CONTROLS

CLONMEL

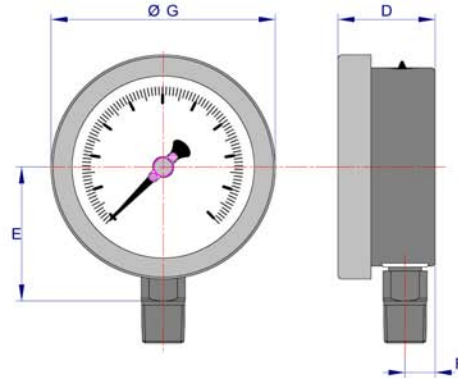
www.hccl.ie

Models- 1061/S, 1062/S, 1063/S, 1064/S.
Stainless Steel Case & Brass Internals

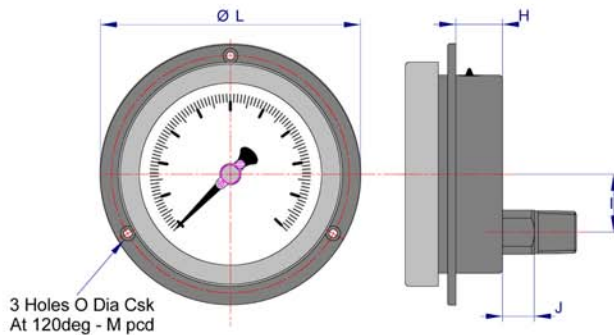
Surface Mounted
Model - 1061/S



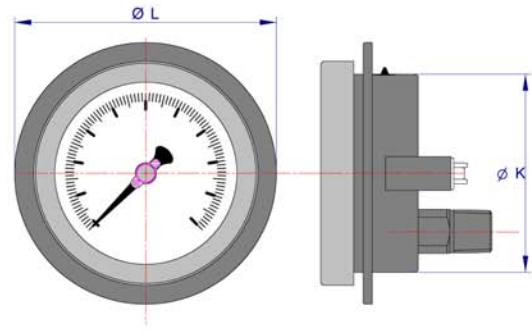
Direct Mounted (Standard)
Model - 1062/S



Flush Mounted Screw Fixing
Model - 1063/S



Flush Mounted Clamp Fixing
Model - 1064/S



10 to 25 mbar Lower / Back Connection.(shown)
25 to 400 mbar Centre / Back Connection.(standard)

Dimensions Diameter	A	B	C	D	E	F	G	H	I	J	K	L	M	N	O	Panel Cut-out
63	39	78.5	11.5	31	42	9.5	68.5	21.5	18	10	62	85	75	3.5	3.8	66
100	50.5	121	17	48.5	67	15	112	24.5	32	18	99	132	118	6.0	6.0	106
150	50.5	174	17	48.5	93	15	162	24.5	32	18	148	185	168	5.8	5.8	153

We manufacture a wide range of instruments to customer's special requirements
We shall be pleased to discuss and advise on your specifications.

Specifications and dimensions given in this leaflet represent the state of engineering at the time of printing.
Engineering modifications may take place without prior notice.



HANLEY CONTROLS

CLONMEL

www.hccl.ie