

Models-2012, 2013/F Stainless Steel Case & Stainless Steel Internals

Case

AISI 304 Stainless Steel
Bezel Stainless Steel (Bayonet type).
Weatherproof Construction

Socket + Element

AISI 316 Stainless Steel

Thread

1/4", 3/8", 1/2" NPT, BSP, BSPT

Dial

White Aluminium (Black Printing)

Pointer

Black Aluminium

Window

Sheet Glass

Standard Size

100, 150mm

Accuracy class

1.5%

Scale Range

Vacuum to 25 bar

Ordering information

State:- Pressure gauge model
/ Nominal size / Scale range
/ Size of connection / Optional extras reqd.
See How to order pressure gauges

Optional extras

AISI 316 Stainless steel case.
White plastic dial (Black Printing).
Monel to Nace MR-01-75 wetted parts.
Laminated safety glass / Perspex window.
Customer logo.

Further options: on request



Model - 2012

We manufacture a wide range of instruments to customer's special requirements
We shall be pleased to discuss and advise on your specifications.

Specifications and dimensions given in this leaflet represent the state of engineering at the time of printing.
Engineering modifications may take place without prior notice.



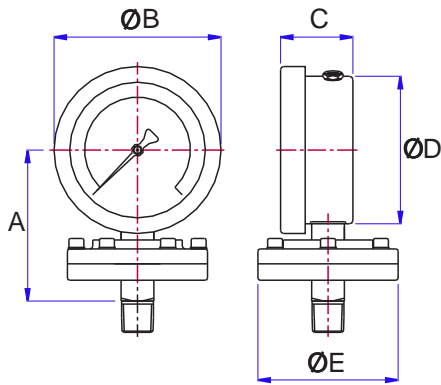
HANLEY CONTROLS

CLONMEL

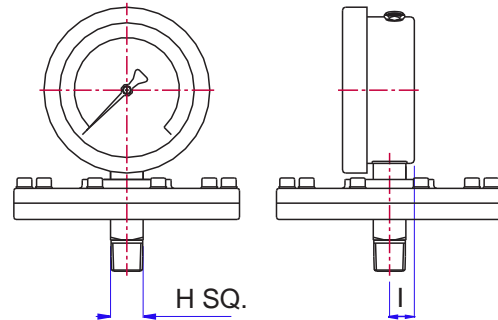
www.hccl.ie

Models-2012, 2013/F
Stainless Steel Case & Stainless Steel Internals

Model - 2012

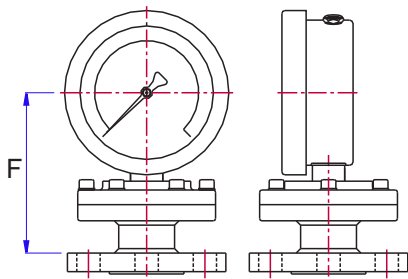


Vacuum to 25 bar

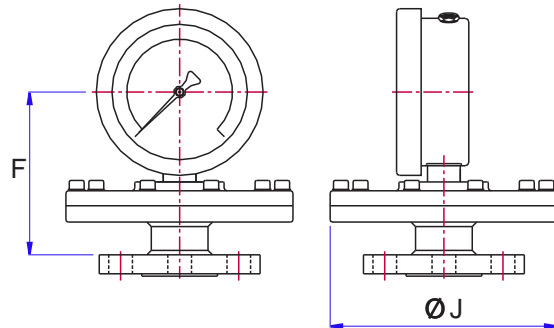


40 - 400 mbar

Model - 2013 / F



Vacuum to 25 bar



40 - 400 mbar

Dimensions Diameter	A	B	C	D	E	F	G	H	I	J
100	102	112	48.5	99	94	110	77	22	17	152.4
150	127	162	48.5	148	94	135	102	22	16	152.4

