

Models-2021, 2022, 2023, 2024.
Stainless Steel Case & Stainless Steel Internals

Case

AISI 304 Stainless Steel
Bezel Stainless Steel (Bayonet type).
Weatherproof Construction

Socket + Element

AISI 316 Stainless Steel

Thread

1/4", 3/8", 1/2" NPT, BSP, BSPT

Dial

White Aluminium (Black Printing)

Pointer

Black Aluminium

Window

Sheet Glass

Standard Size

100, 150mm

Accuracy class

2%

Ordering information

State:- Pressure gauge model
/ Nominal size / Scale range
/ Size and location of connection / Optional extras reqd.

Optional extras

AISI 316 Stainless steel case.
White plastic dial (Black Printing).
Monel to Nace MR-01-75 wetted parts.
Laminated safety glass / Perspex window.
Customer logo.
Safety pattern construction.
Further options: on request



Model - 2022

When two Bourdon tubes are mounted in a single case, with each mechanism acting independently but with the two pointers mounted on a common dial, the assembly is called a duplex gauge. Each Bourdon tube has its own pressure connection and its own pointer. Duplex gauges are used to give a simultaneous indication of the pressure from two different locations. For example, it may be used to measure the inlet and outlet pressures of a strainer to obtain the differential pressure across it.

We manufacture a wide range of instruments to customer's special requirements
We shall be pleased to discuss and advise on your specifications.

Specifications and dimensions given in this leaflet represent the state of engineering at the time of printing.
Engineering modifications may take place without prior notice.

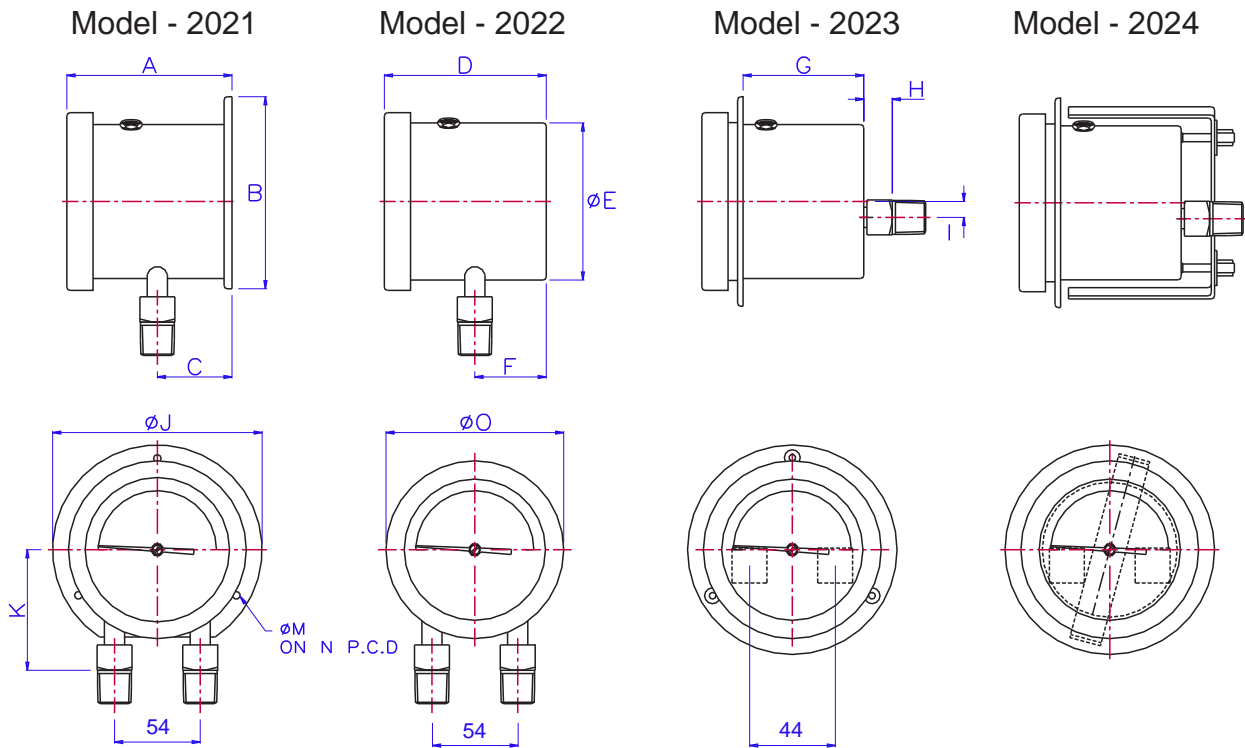


HANLEY CONTROLS

CLONMEL

www.hccl.ie

Models-2021, 2022, 2023, 2024.
Stainless Steel Case & Stainless Steel Internals



Dimensions Diameter	A	B	C	D	E	F	G	H	I	J	K	M	N	O	Panel Cut-out
100	104	121	47	101	99	45	62	18	10	132	76	4.5	116	112	105
150	104	184	50	101	158.5	47	63	18	10	196	103	5.8	178	161	165



HANLEY CONTROLS

CLONMEL

www.hccl.ie