



HANLEY CONTROLS

CLONMEL

www.hccl.ie



82-200/82A-240 Series Bronze 3-Piece Full Port Ball Valve

Solder End, 82-200 & 82-240: 600 psig. CWP, 150 psig. SWP. 82A-240: 400 psig. CWP, 150 psig. SWP
Vacuum Service to 29 inches Hg.

Federal Specification: WW-V-35C, Type: II, Composition: BZ, Style: 1.

MSS SP-110; Ball Valves Threaded, Socket-Welding, Solder Joint, Grooved and Flared Ends.

CRN: OC10908.5C

FEATURES

- Adjustable packing gland
- Blow-out-proof stem design
- Reinforced seats
- Inline repairable
- Full port ball configuration

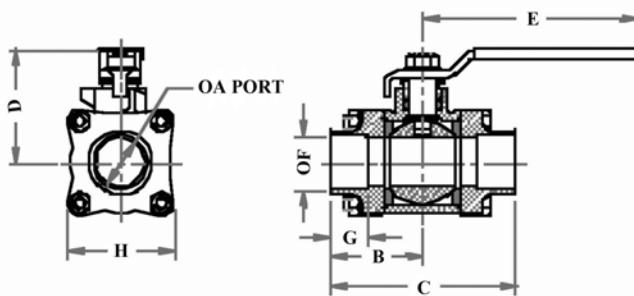
STANDARD MATERIAL LIST

1. Lever and grip	Steel, zinc plated w/vinyl	8. Stem	ASTM B16 (Brass), ASTM 276-316 SS (3"-4")
2. Stem packing	MPTFE (Chevron style PTFE 82A 3"&4")	9. Lever nut	Steel, zinc plated
3. Stem bearing	RPTFE	10. Body bolt	Steel, zinc plated
4. Ball	ASTM B16 (Brass),chrome plated (1/4"-2-1/2") ASTM 276-316 SS (3"-4")	11. Hex nut	Steel, zinc plated
5. Seat (2)	RPTFE	12. Body	ASTM B584-C84400 (Bronze)
6. End cap (2)	B16 (1/4" to 3/8"), B584-C84400 (1/2"-4")		
7. Gland nut	B16 (Brass)		

OPTIONS AVAILABLE:

VARIATIONS AVAILABLE:

82-200 Series	Standard
82-240 Series	316 SS Ball & Stem
82A-240 Series	3" & 4" Only (No Options Available)



(SUFFIX)	OPTION	SIZES
-02-	Static Grounded	3/8" to 4"
-04-	2-1/4" Stem Extension	3/8" to 2"
-05-	Plain Ball	3/8" to 4"
-07-	Tee Handle	3/8" to 2"
-08-	90° Reversed Stem	3/8" to 4"
-10-	SS Lever & Nut	3/8" to 4"
-11-	Therma-Seal™ Insulating Tee Handle	1/4" to 2"
-14-	Vented Ball (see page J-2)	3/8" to 4"
-15-	Round Handle	3/8" to 2"
-16-	Vertical Chain Lever	1/2" to 2"
-18-	Plain Yellow Grip	3/8" to 2"
-19-	Lock Plate	3/8" to 2"
-20-	Slot Vented Ball	3/8" to 4"
-21-	UHMWPE Seats	3/8" to 4"
-23-	Tank Flange	2" ONLY
-24-	Graphite Stem Packing	3/8" to 4"
-27-	Latch Lock Lever	1/2" to 2"
-30-	CamLock Handle	3/8" to 1-1/4"
-32-	SS Tee Handle & Nut	3/8" to 2"
-35-	PTFE Trim	3/8" to 4"
-39-	SS Hi-Rise Locking Wheel Handle, SS Nut	3/8" to 1-1/4"
-40-	Cyl-Loc & Grounded	3/8" to 1/2"
-45-	Less Lever & Nut	3/8" to 4"
-46-	Latch-Lock Lever - Lock in Closed Position Only	1/2" to 2"
-47-	SS Oval Latch-Lock Handle & Nut	3/8" to 3/4"
-48-	SS Oval Handle (No Latch) & Nut	3/8" to 2"
-49-	Assembled Dry	3/8" to 4"
-50-	2-1/4" CS Locking Stem Extension	3/8" to 2"
-56-	Multifill Seats	3/8" - 4"
-57-	Oxygen Cleaned	3/8" to 4"
-58-	Chain Lever - Horizontal	3/8" to 2"
-59-	SS External Trim - 3-pc. Valves	3/8" to 4"
-60-	Grounded Ball & Stem	3/8" to 4"
-92-	Balancing Stop	3/8" to 2-1/2"

BRONZE 3-PIECE FULL PORT BALL VALVE

NUMBER	SIZE	A	B	C	D	E	F	G	H	Wt.
82-202-01	3/8"	.44	1.28	2.56	1.81	3.87	.50	.38	1.60	1.04
82-203-01	1/2"	.56	1.40	2.81	1.93	4.87	.63	.50	1.78	1.55
82-204-01	3/4"	.83	1.71	3.43	2.18	4.87	.88	.75	1.98	2.27
82-205-01	1"	1.00	1.93	3.87	2.62	5.50	1.13	.90	2.22	3.28
82-206-01	1-1/4"	1.25	2.37	4.75	2.87	5.50	1.38	.97	2.70	5.62
82-207-01	1-1/2"	1.50	2.62	5.25	3.37	8.00	1.63	1.09	3.03	8.07
82-208-01	2"	2.00	3.01	6.03	3.68	8.00	2.13	1.34	3.87	14.42
82-209-01	2-1/2"	2.50	3.62	7.25	5.14	9.75	2.63	1.47	5.05	26.61
82A-240-01	3"	3.00	4.18	8.37	8.10	19.13	3.13	1.66	5.82	43.00
82A-24A-01	4"	4.00	5.43	10.86	8.88	19.13	4.13	2.16	7.77	106.00

**For Pressure/Temperature Ratings,
Refer to Page M-8, Graph No. 4**



HANLEY CONTROLS

CLONMEL

www.hccl.ie



82-200 Special Male

Bronze 3-Piece Full Port Ball Valve With Male Brazed Extensions

Solder End, 600 psig WOG, Cold Non-Shock. 150 psig Saturated Steam.

Vacuum Service to 29 inches Hg.

Federal Specification: WW-V-35C, Type: II, Composition: BZ, Style: 1.

Designed for soft solder or brazed installation without disassembly.

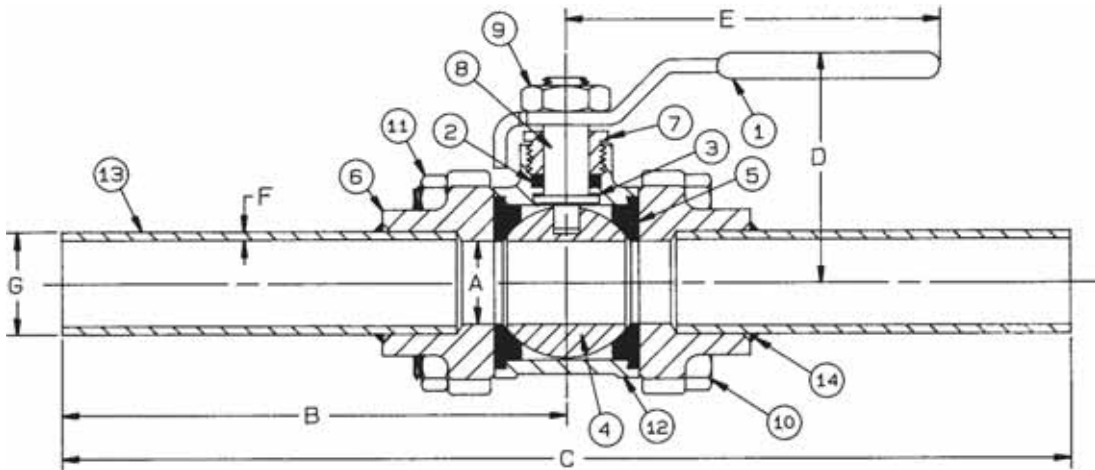
MSS SP-110; Ball Valves Threaded, Socket-Welding, Solder Joint, Grooved and Flared Ends.

FEATURES

- Full port configuration
- Reinforced seats and seals
- In-line repairable
- Blow-out-proof stem design
- Adjustable packing gland
- Latch lock handle optional

STANDARD MATERIAL LIST

- | | | | |
|-------------------|----------------------------|-------------------|----------------------|
| 1. Lever and grip | Steel, zinc plated w/vinyl | 9. Lever nut | Steel, zinc plated |
| 2. Stem packing | MPTFE | 10. Body bolt | Steel, zinc plated |
| 3. Stem bearing | RPTFE | 11. Hex nut | Steel, zinc plated |
| 4. Ball | B16, chrome plated | 12. Body | B584-C84400 |
| 5. Seat (2) | RPTFE | 13. Extension | Type K copper tubing |
| 6. End cap (2) | B584-C84400 | 14. Brazing alloy | Sil-Fos 5 |
| 7. Gland | B16 | 15. Cap plugs | (not shown) |
| 8. Stem | B16 | | |



For Pressure/Temperature Ratings, Refer to Page M-8, Graph No. 4

BRONZE 3-PIECE FULL PORT BALL VALVE WITH MALE BRAZED EXTENSIONS

STANDARD		OXYGEN CLEANED		SIZE	A	B	C	D	E	F	G*	Wt.
PART NUMBERS	PART NO. W/316 SS BALL & STEM	PART NUMBERS	PART NO. W/316 SS BALL & STEM									
82-203-B8	82-243-A8	82-203-A1	82-243-A7	1/2"	.62	6.90	13.81	2.00	4.87	.049	5/8"	1.66
82-204-A8	82-244-B3	82-204-A2	82-244-B2	3/4"	.81	6.96	13.93	2.18	4.87	.065	7/8"	2.37
82-205-B7	82-245-B1	82-205-A1	82-245-B0	1"	1.00	6.97	13.95	2.62	5.50	.065	1-1/8"	3.43
82-206-B7	82-246-B0	82-206-A1	82-246-A9	1-1/4"	1.25	7.40	14.75	2.89	5.50	.065	1-3/8"	5.52
82-207-B2	82-247-B2	82-207-A1	82-247-B0	1-1/2"	1.50	7.53	15.07	3.37	8.00	.072	1-5/8"	8.51
82-208-B7	82-248-B2	82-208-A1	82-248-B1	2"	2.00	7.61	15.23	3.70	8.00	.083	2-1/8"	14.20

*NOMINAL TUBING O.D.



HANLEY CONTROLS

CLONMEL

www.hccl.ie



82-200 Special Female



Bronze 3-Piece Full Port Ball Valve With 6" Female Brazed Extensions

Solder End, 600 psig WOG, Cold Non-Shock. 150 psig Saturated Steam.

Vacuum Service to 29 inches Hg.

Federal Specification: WW-V-35C, Type: II, Composition: BZ, Style: 1.

Designed for soft solder or brazed installation without disassembly.

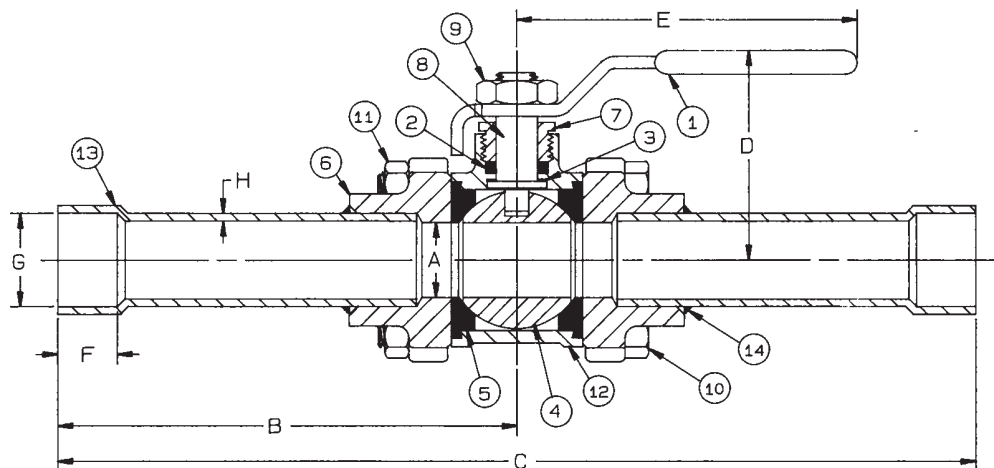
MSS SP-110; Ball Valves Threaded, Socket-Welding, Solder Joint, Grooved and Flared Ends.

FEATURES

- Full port configuration
- Reinforced seats & seals
- In-line repairable
- Blow-out-proof stem design
- Adjustable packing gland
- Latch lock handle optional

STANDARD MATERIAL LIST

1. Lever and grip	Steel, zinc plated w/vinyl	9. Lever nut	Steel, zinc plated
2. Stem packing	MPTFE	10. Body bolt	Steel, zinc plated
3. Stem bearing	RPTFE	11. Hex nut	Steel, zinc plated
4. Ball	B16, chrome plated	12. Body	B584-C84400
5. Seat (2)	RPTFE	13. Extension	Type K copper tubing
6. End cap (2)	B584-C84400	14. Brazing alloy	Sil-Fos 5
7. Gland	B16	15. Cap plugs	(not shown)
8. Stem	B16		



**For Pressure/Temperature Ratings,
Refer to Page M-8, Graph No. 4**

BRONZE 3-PIECE FULL PORT BALL VALVE WITH FEMALE BRAZED EXTENSIONS

STANDARD NUMBERS	OXYGEN CLEANED	SIZE	A	B	C	D	E	F	G*	H	Wt.
82-203-C2	82-203-C3	1/2"	.62	7.40	14.80	2.00	4.87	.50	5/8"	.049	1.7
82-204-C3	82-204-C4	3/4"	.81	7.71	15.42	2.18	4.87	.75	7/8"	.065	2.4
82-205-C2	82-205-C3	1"	1.00	7.92	15.84	2.62	5.50	.90	1-1/8"	.065	3.5
82-206-C1	82-206-C2	1-1/4"	1.25	8.45	16.90	2.89	5.50	.96	1-3/8"	.065	5.6
82-207-B8	82-207-B9	1-1/2"	1.50	8.58	17.16	3.37	8.00	1.09	1-5/8"	.072	8.6
82-208-C1		2"	2.00	9.06	18.12	3.70	8.00	1.34	2-1/8"	.083	14.3

*NOMINAL TUBING O.D.



HANLEY CONTROLS

CLONMEL

www.hccl.ie

FLOW DATA

For Apollo® Ball Valves

The listed Cv "factors" are derived from actual flow testing, in the Apollo® Ball Valve Division, Conbraco Industries, Inc., Pageland, South Carolina. These tests were completed using standard "off the shelf" valves with no special preparation and utilizing standard schedule 40 pipe. It should be understood that these factors are for the valve only and also include the connection configuration. The flow testing is done utilizing water as a fluid media and is a direct statement of the gallons of water flowed per minute with a 1 psig pressure differential across the valve/connection unit. Line pressure is not a factor. Because the Cv is a factor, the formula can be used to estimate flow of most media for valve sizing.

Flow of Liquid

$$Q = Cv \sqrt{\frac{\Delta P}{SpGr}}$$

$$\text{or } \Delta P = \frac{(Q)^2 (SpGr)}{(Cv)^2}$$

Where:

Q = flow in US gpm
ΔP = pressure drop (psig)
SpGr = specific gravity at flowing temperature
Cv = valve constant

Flow of Gas

$$Q = 1360 Cv \sqrt{\frac{(\Delta P) (P_1)}{(SpGr) (T)}}$$

$$\text{or } \Delta P = \frac{5.4 \times 10^{-7} (SpGr) (T) (Q)^2}{(Cv)^2 (P_2)}$$

Where:

Q = flow in SCFH
ΔP = pressure drop (psig)
SpGr = specific gravity (based on air = 1.0)
P₂ = outlet pressure-psia (psig + 14.7)
T = (temp. °F + 460)
Cv = valve constant

Cv FACTORS FOR APOLLO VALVES

Valve Size (inches)	1/4	3/8	1/2	3/4	1	1-1/4	1-1/2	2	2-1/2	3	4	6	8	10	12
Ball Valves															
32-100/200 Series	5.1	6.6	8	24	30	45	55	95	--	--	--	--	--	--	--
64-100/200 Series	6	7	19	34	50	104	268	309	629	1018	1622	--	--	--	--
64W Series	--	--	--	--	--	--	--	--	629	1018	1622	--	--	--	--
70B-140 Series	8.4	7.2	15	30	43	48	84	108	190	370	670	--	--	--	--
70-100/200 Series	8.4	7.2	15	30	43	48	84	108	190	370	670	--	--	--	--
70-300/400 Series	--	--	15	30	43	48	84	108	--	--	--	--	--	--	--
70-600 Series	2.3	4.5	5.4	12	14	21	34	47	--	--	--	--	--	--	--
70-800 Series	8.4	7.2	15	30	43	48	84	--	--	--	--	--	--	--	--
71AR Series	--	--	--	30	43	48	84	108	190	370	--	--	--	--	--
71-100/200 Series	--	--	--	30	43	48	84	108	190	370	--	--	--	--	--
72-100/900 Series	--	--	26	48	65	125	170	216	--	--	--	--	--	--	--
73A-100 Series	8.4	7.2	15	30	43	48	84	108	--	--	--	--	--	--	--
73-300/400 Series	--	--	26	48	65	125	170	216	--	--	--	--	--	--	--
74-100 Series	8.4	7.2	15	30	43	48	84	108	190	370	670	--	--	--	--
75-100 Series	8.4	7.2	15	30	43	48	84	108	190	370	670	--	--	--	--
76AR Series	8.4	7.2	15	30	43	48	84	108	190	370	670	--	--	--	--
76F-100 Series	8.1	15	15	51	68	125	177	389	--	--	--	--	--	--	--
76-100 Series	8.4	7.2	15	30	43	48	84	108	190	370	--	--	--	--	--
76-300/400 Series	--	--	26	48	65	125	170	216	--	--	--	--	--	--	--
76-600 Series	2.3	4.5	5.4	12	14	21	34	47	--	--	--	--	--	--	--
7K-100 Series	--	--	15	51	68	125	177	389	503	--	--	--	--	--	--
77AR Series	8.1	15	15	51	68	125	177	389	--	--	--	--	--	--	--
77C-100/200 Series	4.5	7.2	16	36	68	125	177	389	503	--	--	--	--	--	--
77D-140 Series	4.5	7.2	16	36	68	125	177	389	--	--	--	--	--	--	--
77D-640 Series	--	--	--	11	24	35	--	--	--	--	--	--	--	--	--
77G-UL Series	4.5	7.2	16	36	68	125	177	389	503	--	--	--	--	--	--
77W Series	--	--	16	36	68	125	177	389	--	--	--	--	--	--	--
77X Series	--	--	16	36	68	--	--	--	--	--	--	--	--	--	--
77-100/200 Series	8.1	15	15	51	68	125	177	389	503	--	--	--	--	--	--



HANLEY CONTROLS

CLONMEL

www.hccl.ie

Cv FACTORS FOR APOLLO VALVES

Valve Size (inches)	1/4	3/8	1/2	3/4	1	1-1/4	1-1/2	2	2-1/2	3	4	6	8	10	12
Ball Valves															
79 Series	8.5	8.5	9.8	32	44	66	148	218	440	390	--	--	--	--	--
80/81 Series	8.4	7.2	15	30	43	48	84	108	190	370	--	--	--	--	--
82-100/200 Series	8.1	14	26	51	68	120	170	376	510	996	1893	--	--	--	--
83A/83B Series	8.1	14	26	51	68	120	170	376	--	--	--	--	--	--	--
83R-100/200 Series	--	--	--	--	--	--	170	376	--	996	1893	--	--	--	--
86A/86B Series	8.1	14	26	51	68	120	170	376	--	--	--	--	--	--	--
86R-100/200 Series	--	--	--	--	--	--	170	376	--	996	1893	--	--	--	--
87A-100 Series	--	--	--	--	--	--	86	104	234	375	673	1099	1902	3890	--
87A-200 Series	--	--	15	19	75	--	195	410	545	1021	2016	4837	9250	15170	22390
87A-700 Series	--	--	--	--	--	--	86	104	234	375	673	1099	1902	3890	--
87A-900 Series	--	--	15	19	75	--	195	410	545	1021	2016	4837	9250	15170	22390
87B-100 Series	--	--	--	--	--	--	--	--	--	375	673	1099	1902	3890	--
88A-100 Series	--	--	--	--	--	--	86	104	234	375	673	1099	1902	3890	--
88A-200 Series	--	--	15	19	75	--	195	410	545	1021	2016	4837	9250	15170	22390
88A-700 Series	--	--	--	--	--	--	86	104	234	375	673	1099	1902	3890	--
88A-900 Series	--	--	15	19	75	--	195	410	545	1021	2016	4837	9250	15170	22390
88B-100 Series	--	--	--	--	--	--	--	--	--	375	673	1099	1902	3890	--
89-100 Series	8.4	7.2	15	30	43	48	84	108	190	370	--	--	--	--	--
9A-100 Series	8.3	6.7	5.7	10	16	25	40	62	--	--	--	--	--	--	--
91-100 Series	8.3	6.7	5.7	10	16	25	40	62	--	--	--	--	--	--	--
92-100 Series	8.3	6.7	5.7	10	16	25	40	62	--	--	--	--	--	--	--
93-100 Series	8.3	6.7	5.7	10	16	25	40	62	--	--	--	--	--	--	--
94A-100/200 Series	6	7	19	34	50	104	268	309	629	1018	1622	--	--	--	--
95-100/200 Series	--	--	15	51	68	--	--	--	--	--	--	--	--	--	--
95A-300/400 Series	--	--	19	34	50	--	--	--	--	--	--	--	--	--	--
96-100 Series	8.3	6.7	5.7	10	16	25	40	62	--	--	--	--	--	--	--
399-100 Series	8.4	7.2	15	30	43	48	84	108	190	370	--	--	--	--	--
489-100 Series	8.4	7.2	15	30	43	48	84	108	190	370	--	--	--	--	--

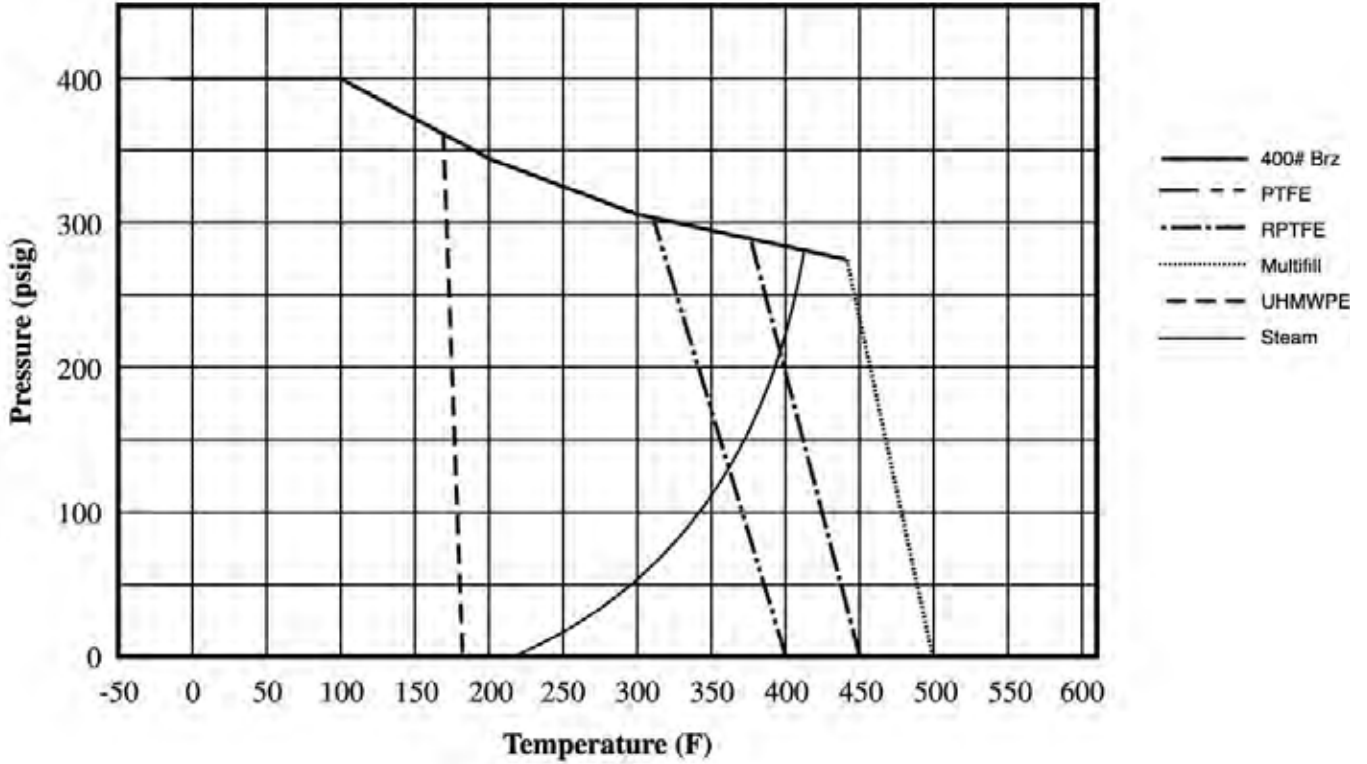


HANLEY CONTROLS

CLOMEL

www.hccl.ie

400# Bronze P-T Rating (Graph 3)



600# Bronze P-T Rating (Graph 4)

