



HANLEY CONTROLS

C L O N M E L

www.hccl.ie

SERIES CDTC | COMMUNICATING CARBON DIOXIDE SENSOR



European style



North American style
(with optional LCD display)

FEATURES/BENEFITS

- Field selectable Modbus® and BACnet communications reduce wiring
- Single beam dual wavelength CO₂ sensor
- Physical hardware lockout
- Optional remote display tool

APPLICATIONS

- Demand control ventilation in schools, office buildings, hospitals, and other indoor environments
- LEED® certification

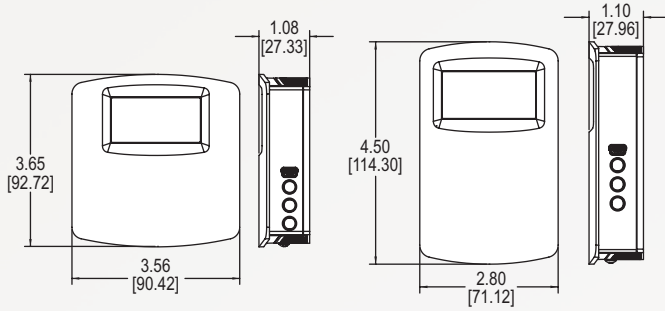
DESCRIPTION

The **Series CDTC Communicating Carbon Dioxide Sensor** combines the function of two room sensors into a single, compact housing. Parameters include carbon dioxide, temperature, and temperature set point with override. By having field selectable Modbus® and BACnet Communications, only four wires are needed for power and the communication signal. The communicating detectors can be daisy chained together to further reduce installation cost. In order to reduce the set up time, the RS-485 MAC address is set up using on-board DIP switches. A second set of DIP switches are used to select whether the output is Modbus® RTU or BACnet MS/TP communication protocols and to limit access to the set up menu.

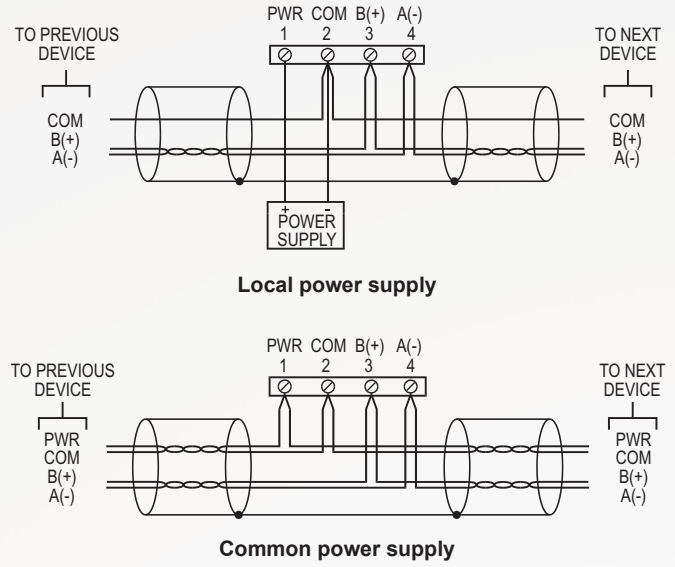
SPECIFICATIONS

Range	0 to 2000 or 5000 PPM CO ₂ (depending on model); 32 to 122°F (0 to 50°C) temperature.
Accuracy	±40 PPM ±3% of reading carbon dioxide; ± 1°C @ 25°C temperature.
Response Time	<2 minutes, diffusion, carbon dioxide.
Sensor Technology	NDIR (non-dispersive infrared); 15 year light source.
Temperature Limits	32 to 122°F (0 to 50°C).
Output	2-wire RS-485, Modbus® RTU or BACnet MS/TP communication protocol.
Temperature Dependence (CO₂)	±8 PPM / °C at 1100 PPM.
Non-Linearity (CO₂)	16 PPM.
Pressure Dependence (CO₂)	0.13% of reading per mm Hg carbon dioxide.
Power Requirements	10-42 VDC or 10-30 VAC.
Weight	4.4 oz (125g).
Agency Approvals	BTL, CE.

DIMENSIONS

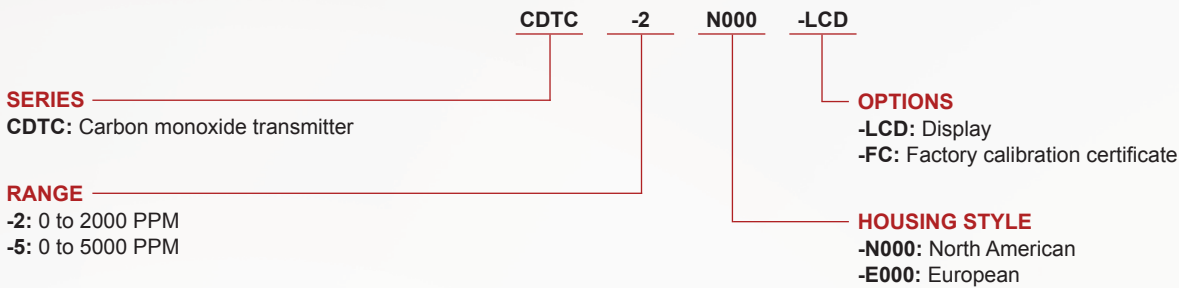


WIRING DIAGRAM



HOW TO ORDER

Use the **bold** characters from the chart below to construct a product code.



ACCESSORIES

Model	Description
GCK-200CO-2000CO2	Calibration gas kit
A-449	Remote LCD display
A-CDT-KIT	Accessory kit including terminal block and power supply



www.hccl.ie

LEED® is a registered trademark of the U.S. Green Building Council.
Modbus® is a registered trademark of Schneider Automation, Inc.

ORDER ONLINE TODAY!

dwyer-inst.com/Product/SeriesCDTC



DWYER INSTRUMENTS, INC.

©Copyright 2020 Dwyer Instruments, Inc.
Printed in U.S.A. 2/20

DS-CDTC Rev. 1

Important Notice: Dwyer Instruments, Inc. reserves the right to make changes to or discontinue any product or service identified in this publication without notice. Dwyer advises its customers to obtain the latest version of the relevant information to verify, before placing any orders, that the information being relied upon is current.