



HANLEY CONTROLS

CLONMEL

www.hccl.ie

info@hccl.ie

052 6122722

SHUT OFF VALVE

MAIN INSTRUMENT
AIR HEADER

MECHANICAL
INSTRUMENT

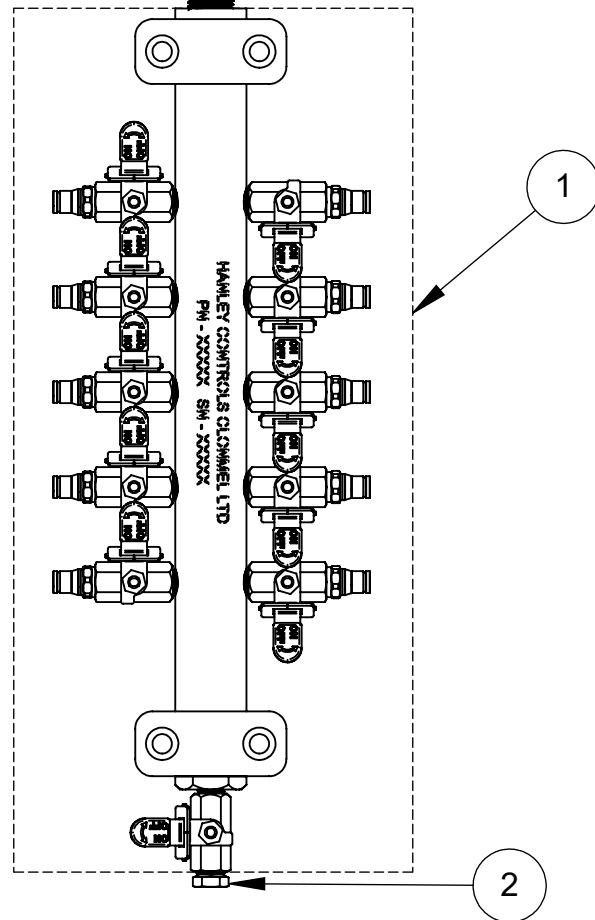
1/2" O.D.
SUB-HEADER

NOTE 9

NOTE 9

NOTES

- A. MANIFOLD TO BE SUPPLIED C/W ALL SS LF3800 PARKER LEGRIS 6MM X 1/4" NPT PUSH IN TYPE FITTING (3805 06 14) (INCLUDED IN ITEM 1)
- B. MANIFOLD TO BE SUPPLIED C/W PP GREEN CLAMPS WITH SS PLATES & BOLTS (INCLUDED IN ITEM 1)
- C. MANIFOLD TO BE ETCHED WITH HANLEY MODEL NO. AND SERIAL NO.
- D. MANIFOLD TO BE SUPPLIED WITH TEST CERT (INCLUDED IN ITEM 1)
- E. SPARE CONNECTIONS CAN BE FITTED WITH PARKER LEGRIS 6MM BLANK PLUGS WHEN NOT IN-USE (3126 06 00)
- F. INDIVIDUAL OUTLET VALVES ARE LOCKABLE
- G. CONSULT END USER REGARDING LOCATION AND TAGGING OF MANIFOLD
- H. MANIFOLD DRAIN VALVE. NOT TO BE USED FOR AIR SUPPLY. (PLUG IF REQUIRED) - SEE ITEM 2
- I. FINAL ASSEMBLY OF ITEMS 2 - 8 TO BE COMPLETED BY THE E&I CONTRACTOR ON SITE.
- J. REFER TO THE HANLEY MANIFOLD ORDERING GUIDE FOR MANIFOLD P/N BREAKDOWN AND OPTIONS



ITEM NO.	QTY.	DESCRIPTION
1	1	HANLEY CONTROLS 10-WAY LFF SERIES AIR MANIFOLD, 316 S/S WITH 3/4" INLET THREAD, 1/4" DRAIN AND 10 NO 1/4" LOCKABLE OUTLET VALVES C/W 6MM ALL S/S LF3800 PARKER LEGRIS PUSH-IN SUPPLY CONNECTIONS & MOUNTING GREEN CLAMPS WITH S/S PLATES- P/N LFF1012-4B3ST
2	1	1/4" MNPT, PARKER HEX PLUG, 316 SS (P/N: 4 PH-SS)
3	1	1/2" O.D. X 3/4" NPT, PARKER A-LOK MNPT CONNECTOR 316 SS (P/N: 8MSC12N - 316)
4	A/R	1/2" 316 SS TUBING, ASTM A269, 1/2" O.D.
5	3	1/2" O.D. X 1/2" NPT, PARKER A-LOK MNPT CONNECTOR, 316 SS (P/N: 8MSC8N-316)
6	1	1/2" NPT FILTER REGULATOR, PARKER P32EB (P/N: P32EB94E****)
7	2	1/2" MNPT, PARKER A-LOK HEX NIPPLE, 316 SS (P/N: 8-8MHN-SS)
8	1	1/2" NPT HANLEY FEMALE ISOLATING BALL VALVE, LOCKABLE, 316 SS (P/N: 1/2NPT20-10)



DO NOT SCALE DRAWING

DATE 12.09.2019

COMPANY CONFIDENTIAL: ALL DRAWINGS ARE THE PROPERTY OF HANLEY CONTROLS	
TITLE MANIFOLD HOOK UP GUIDE	
DWG NO. LFF10 - HOOK UP - 10 WAY	REV A
SHEET 1 OF 1	