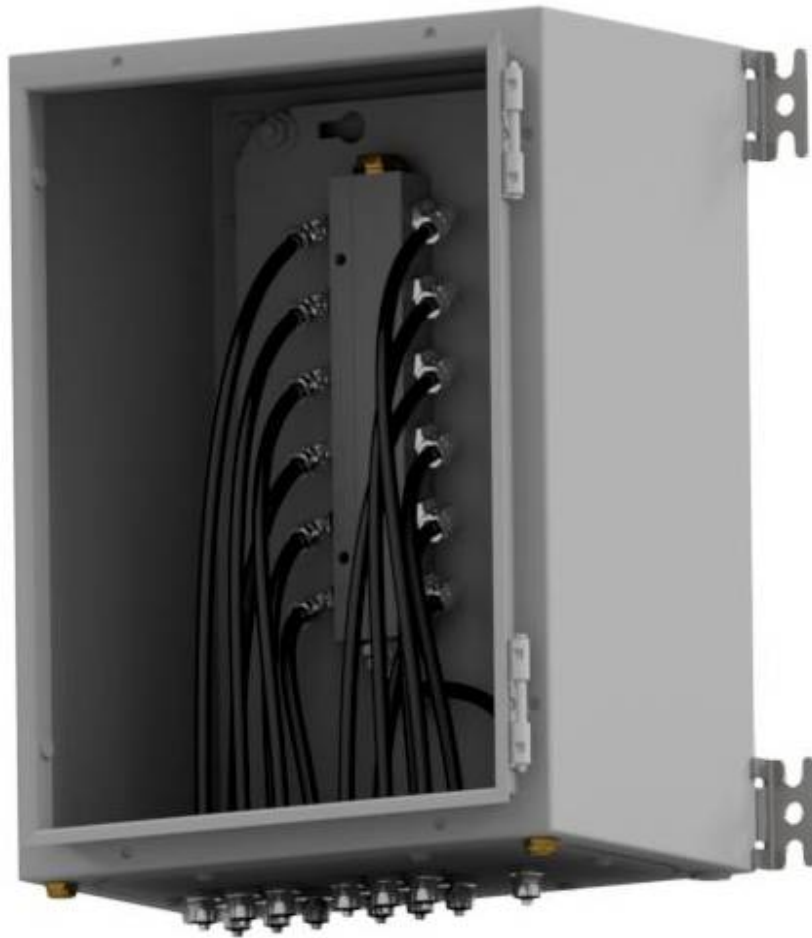


# PDIT / HVAC HOOK-UP SOLUTIONS



**HANLEY CONTROLS**

**CLONMEL**

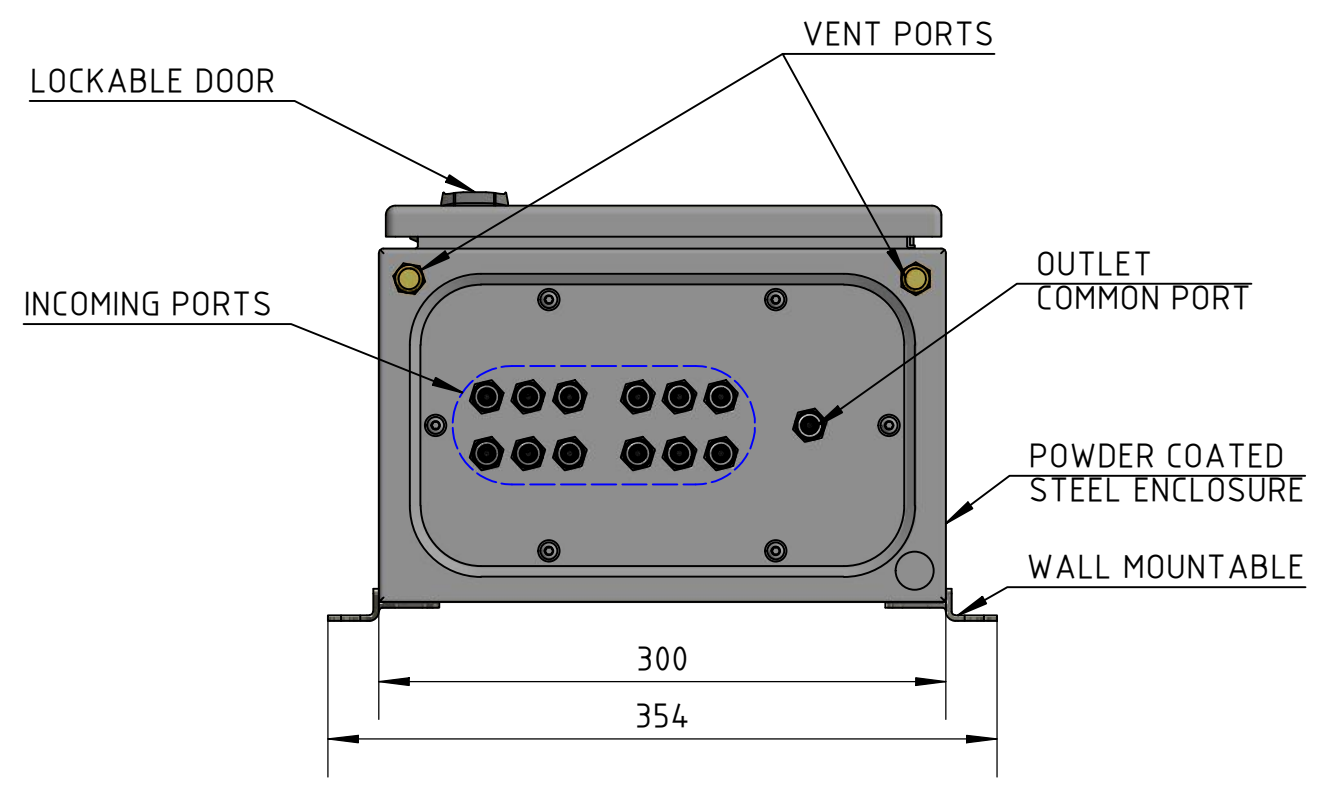
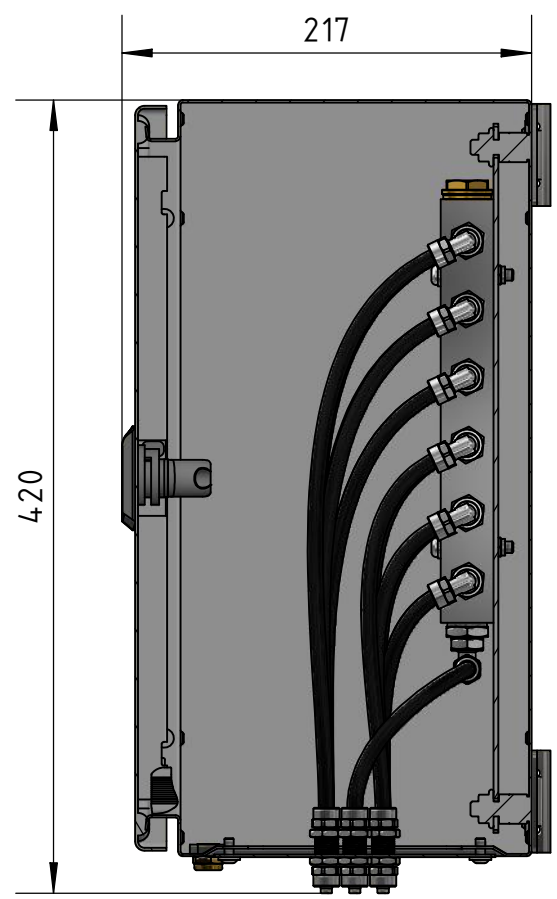
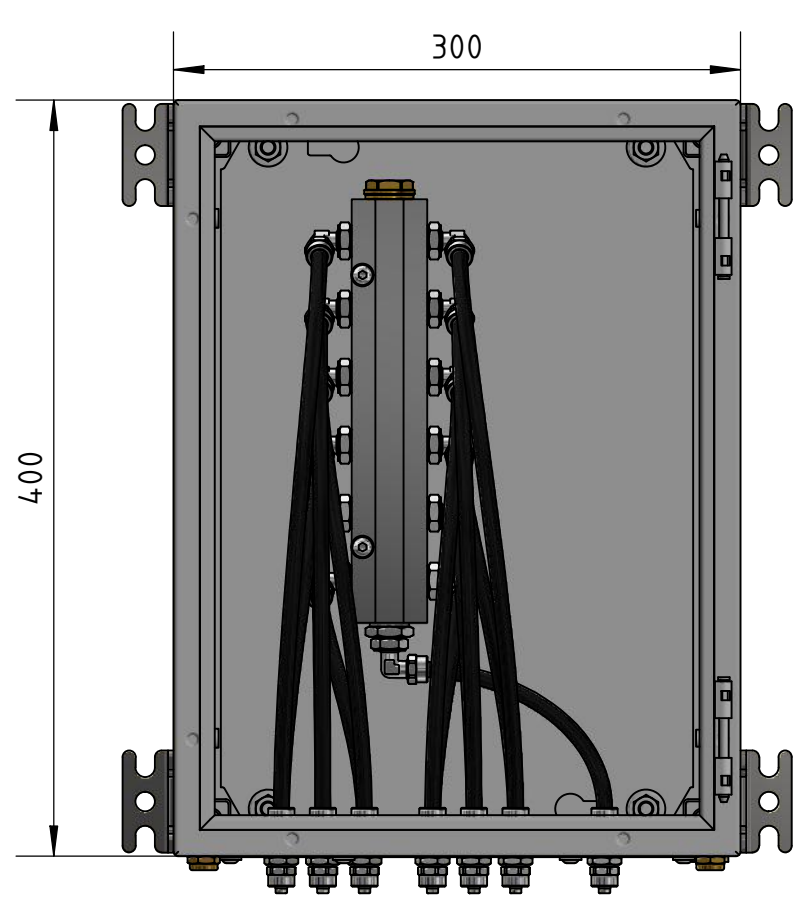
[www.hccl.ie](http://www.hccl.ie)

**Hanley Controls Clonmel Ltd.**  
**Gortnafleur, Clonmel, Co. Tipperary, Ireland**  
**Tel: + 353 52 6122722,**  
[info@hccl.ie](mailto:info@hccl.ie)



www.hccl.ie

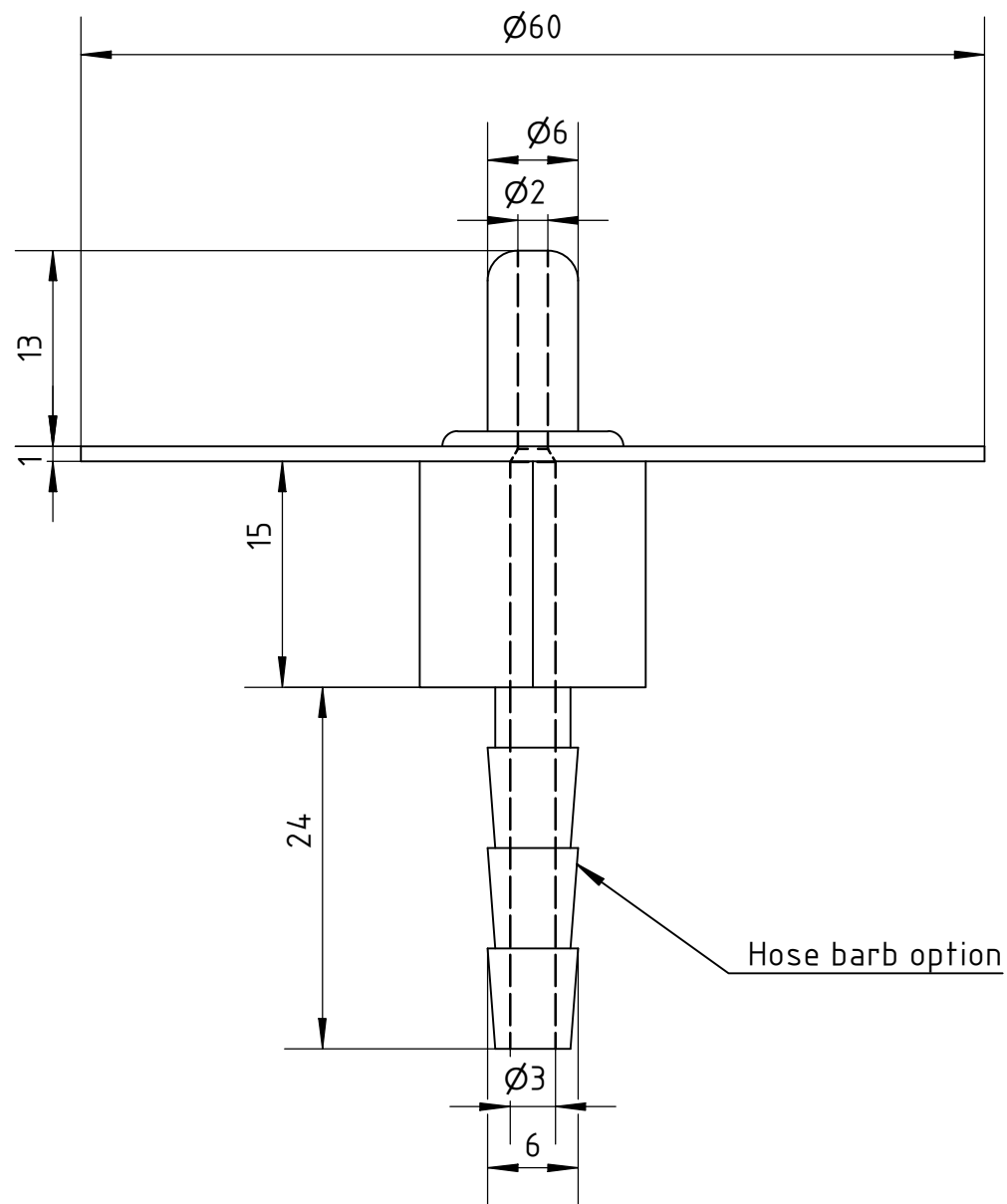
# Value Added Solutions - PDIT Manifold Panel 12 Way Option



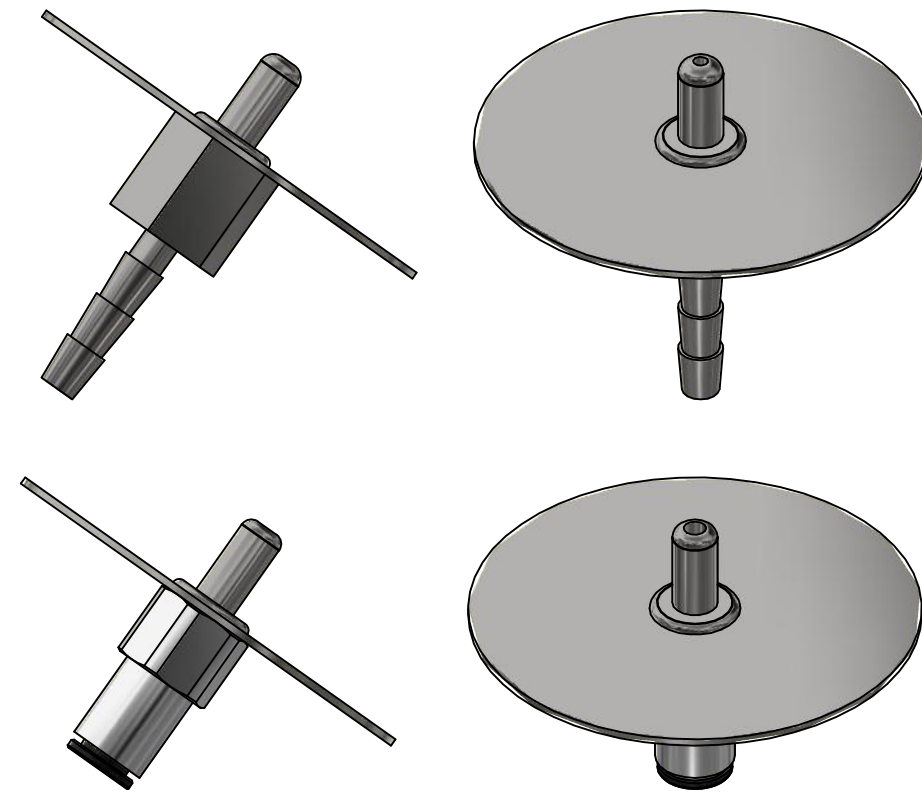
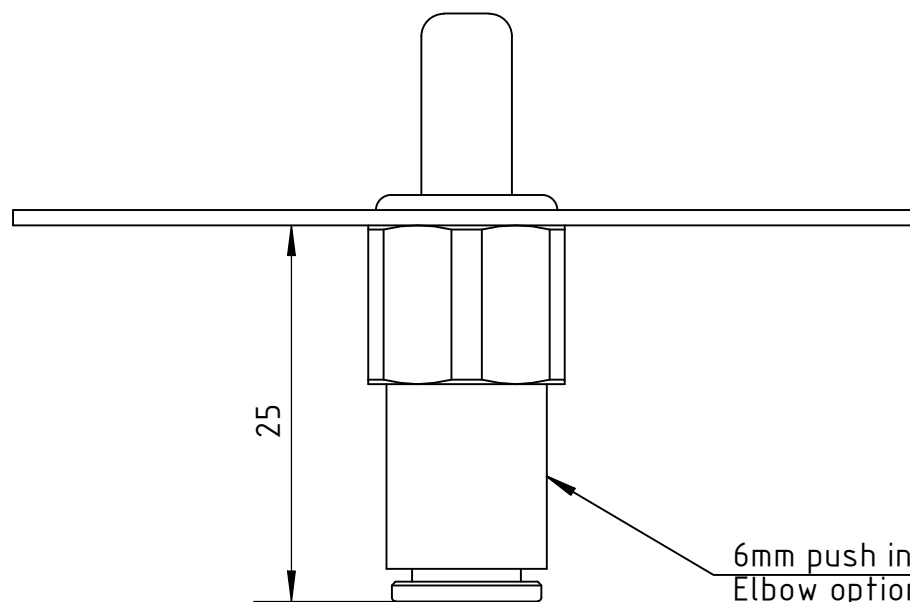
Selection of alternative connections available. Speak to a sales engineer for more information.

# Stainless Steel Polished Ceiling Plate

PN: VM-B1-1-STD-N-B5



OPTION



**Note:**  
Push in LF3000 option only to be used if airline type PU/PE/PA tube is used  
Not suitable for soft PVC type - use barb option only

# AIRLINE / TECHNICAL TUBING



HANLEY CONTROLS

CLONMEL

[www.hccl.ie](http://www.hccl.ie)

Clonmel, Co. Tipperary, Ireland

+353 52 6122722

[info@hccl.ie](mailto:info@hccl.ie)



## ADVANCED POLYETHYLENE (PE)



<b>Features</b>	UV stabilised, Indoor & Outdoor use, Silicon free FDA approval 21CFR 177.1520
<b>Materials</b>	LDPE, 50% reticulated PE, food grade
<b>Temp</b>	-40°C to +95° C
<b>Sizes</b>	4mm to 14mm Also available with outer sheath in PVC Fire Proof and Anti-Spark

## SEMI-RIGID PA (NYLON)



<b>Features</b>	Indoor & Outdoor use, black (only) is UV stabilised Silicon free
<b>Materials</b>	Bio based PA (68 Shore D)
<b>Temp</b>	-40°C to +100° C
<b>Sizes:</b>	3mm to 16mm Also available with outer sheath in PVC Fire Proof and Anti-Spark

## ANTI-SPARK PU (Polyurethane)



<b>Features</b>	Generally Indoor applications, Silicon free, Fireproof to UL94 V-0, (previously known as <b>Prestoweld</b> )
<b>Materials</b>	Single layer PU ether
<b>Temp</b>	-20°C to +70°C
<b>Sizes:</b>	4mm to 14mm Also available with outer sheath

## PU ESTER/ETHER (Polyurethane)



<b>Features</b>	Excellent flexibility, UV resistant, Ether no water absorbtion. FDA approved food grade crystal ether
<b>Materials</b>	PU ether, PU ester
<b>Temp</b>	-20°C to +70°C
<b>Sizes:</b>	4mm to 14mm

This is just a selection of our various technical tubes. Other materials and colours available including:

- \* **PFA** - Wide Temp Range, FDA compliant, Flame Resistant, Mechanical Strength, Good Chemical Resistance
- \* **PTFE** - Outstanding low friction properties; Wide temp range, FDA compliant, UV resistant
- \* **FEP** - Optical clarity, Wide temp range, FDA compliant, Smooth intl surface, Excellent chemicals resistance
- \* **PVDF (Kynar)** - Chemically inert to most acids, Abrasion resistant, Suited to high pressure applications
- \* **Antistatic PU** - Low resistivity, Suitable for ATEX areas, UV resistant, Silicon free
- \* **PA Multitubes** - PA multitubes covered in PVC sheath. 2, 4, 7, & 12 tubes. 10, 25, & 50m coil
- \* **PVC Vinyl Tube** - Clear and Coloured



# PNEUMATIC FITTINGS



**HANLEY CONTROLS**

CLOMEL

[www.hccl.ie](http://www.hccl.ie)

Clonmel, Co. Tipperary, Ireland

+353 52 6122722

[info@hccl.ie](mailto:info@hccl.ie)



Model	Suitable Fluids	Work Press.*	Work Temp	MALE STUD	STUD ELBOW	BULKHEAD	TEE
<b>Legris LF3000</b> Brass with Polymer collet	Compressed Air	Vacuum to 20 Bar	-20/+80				
<b>Legris LF3600</b> All Brass	Compressed Air, Grease, Lubricants, Water	Vacuum to 30 Bar	-20/+150				
<b>Legris LF3800</b> SS316L body with 303 collet	All fluids compatible with material	Vacuum to 30 Bar	-20/+150				
<b>Legris LF3900</b> SS316L body with 316 collet	All fluids compatible with material	Vacuum to 30 Bar	-20/+150				
<b>Legris Liquifit</b> Bio Sourced Polymer (FDA approved)	Water, Beverages, Inert CO2, Chemicals	Vacuum to 16 Bar	-10/+95				
<b>Legris Cleanfit</b> Biopolymer fittings for Life Sciences	Clean air, breathing and medical fluids**	Vacuum to 15 Bar	-10/+95				
<b>Legris PL Nickel</b> Brass (nut & spigot)	Compressed Air. Selected other fluids	Vacuum to 40 Bar	-40/+100				
<b>Parker ALOK</b> twin ferrule SS / Brass / Exotics	All fluids compatible with material	Vacuum to 400 Bar	-20/+650				

\* Dependant on tube and operating conditions

\*\* Individually cleaned and bagged

# OTHER ACCESSORIES / SUPPLIES



**HANLEY CONTROLS**

CLONMEL

[www.hccl.ie](http://www.hccl.ie)

Clonmel, Co. Tipperary, Ireland

+353 52 6122722

[info@hccl.ie](mailto:info@hccl.ie)



*Dwyer Magnehelic Gauge*



*Dwyer Duct Probe*



*Parker Pneumatic & Electric Valves*



*Legris Function Fittings*



*Parker Instrument Valves*



*Legris Silencers*



*Manifold Blocks Complete with Barb Fittings*



*Parker Rectus Quick Couplings*

# CALIBRATION



**HANLEY CONTROLS**

CLOMEL



In-house calibration available Speak to your sales engineer for more information.

Example Certificate Below:

[www.hccl.ie](http://www.hccl.ie)

Clonmel, Co. Tipperary, Ireland

+353 52 6122722

[info@hccl.ie](mailto:info@hccl.ie)

Hanley Controls Clonmel Ltd	Doc. No. D.P.10	Cal. Cert.: General Calibrations
Document Procedure	Appendix : 1	Issue Date: 1 <sup>st</sup> Feb. 2019
Procedure: Calibration.	Revision: 0	Re-Issue Date:



**HANLEY CONTROLS**

CLOMEL

Gortnafluer, Clonmel, Co. Tipperary, Ireland Tel: +353 52 6122722

## Calibration Certificate

**Date of Calibration: 11 Feb. 2021**

**Certificate Number: 12345-01**

Instrument Type	Magnehelic Gauge	Customer Name	Joe Bloggs
Manufacturer	Dwyer	Site Location	Dublin
Model	2000-250Pa	Job Reference No.	SO123456
Serial Number	n/a	Plant Tag Number	DPI-01
Input Range	0 to 250 PA	Test Instrument # 1 Type	Druck DPI 610
Output/Indication	0 to 250 PA	Serial No.	123456
Customer Tolerance	+/- 2%	Certificate No.	123456
Calibration Period	Months	Accuracy	+/- 1.3 PA

Test Point	Applied Value		Calibration Values		
	Input	Units	Reading	Error	Units
1	0.0	PA	0.0	0.0	PA
2	50.0	PA	49.5	0.5	PA
3	125.0	PA	125.9	0.9	PA
4	200.0	PA	198.8	1.2	PA
5	250.0	PA	249.8	0.2	PA
6	200.0	PA	197.5	2.5	PA
7	125.0	PA	123.5	1.5	PA
8	50.0	PA	48.0	2.0	PA
9	0.0	PA	0.0	0.0	PA

Maximum Remaining Error:	2.5 PA
Service Description:	Magnehelic Gauge

Comments: All test equipment used is traceable to National Standards

Calibrated By:	Technician Signature here	Date:	11 Feb. 2021
----------------	---------------------------	-------	--------------

# Notes / Drawings

	1	2	3	4	5	6	7	8	9	10	11	12	13	14	15	16	17	18	19	20	21	22	23	24	25	26	27	28	29	30
1																														
2																														
3																														
4																														
5																														
6																														
7																														
8																														
9																														
10																														
11																														
12																														
13																														
14																														
15																														
16																														
17																														
18																														
19																														
20																														
21																														
22																														
23																														
24																														
25																														
26																														
27																														
28																														
29																														
30																														
31																														
32																														
33																														
34																														
35																														
36																														
37																														

Customer Name:

Date:



**HANLEY CONTROLS**

CLONMEL

[www.hccl.ie](http://www.hccl.ie)

Tel: + 353 52 6122722

[info@hccl.ie](mailto:info@hccl.ie)